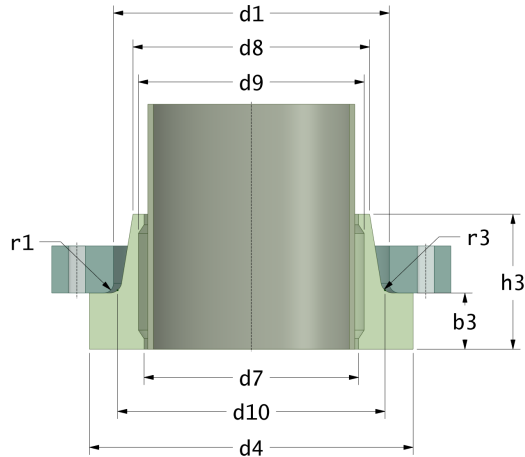


Kraagbussen / Stub Flenzen

Lijmflens (Flat Face) voor GVK buis

All Products



#	DN (mm)	Pmax (bar)	d4 (mm)	d7 (mm)	d8 (mm)	d10 (mm)	d1 (mm)	r1 (mm)	r3 (mm)	h3 (mm)	b3 (mm)	Article Number
1	150	10	214	172	178	184	189	5	5	77	23	SF-150-10
2	150	16	214	172	178	184	189	5	5	92	38	SF-150-16
3	200	10	268	224	230	236	238	6	5	87	25	SF-200-10
4	200	16	268	224	230	236	238	6	5	102	40	SF-200-16
5	250	10	322	276	284	292	294	6	5	95	28	SF-250-10
6	250	16	322	276	284	292	294	6	5	110	43	SF-250-16
7	300	10	376	328	336	348	350	6	5	97	32	SF-300-10
8	300	16	376	328	336	348	350	6	5	112	47	SF-300-16
9	350	10	433	380	388	400	402	7	6	102	36	SF-350-10
10	350	16	433	380	388	400	402	7	6	122	56	SF-350-16
11	400	10	486	431	439	451	455	7	6	112	40	SF-400-10
12	400	16	486	431	439	451	455	7	6	132	60	SF-400-16
13	450	10	538	481	491	506	508	7	6	121	44	SF-450-10
14	450	16	538	481	491	506	508	7	6	141	64	SF-450-16
15	500	3	592	533	543	556	560	7	6	105	28	SF-500-03
16	500	10	592	533	543	556	560	7	6	125	48	SF-500-10

Disclaimer

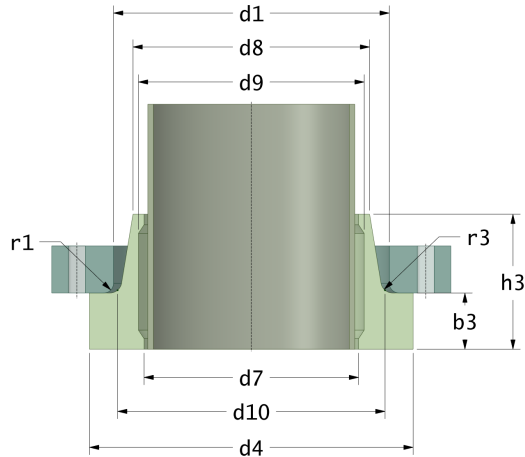
Whilst every care is taken to ensure that the information on this website is complete and accurate, the Rotec Composite Group BV cannot accept responsibility for any omissions or inaccuracies or for any consequences arising therefrom. By using this website, the user accepts the terms of this disclaimer.

16-11-2022

Kraagbussen / Stub Flenzen

Lijmflens (Flat Face) voor GVK buis

All Products



#	DN (mm)	Pmax (bar)	d4 (mm)	d7 (mm)	d8 (mm)	d10 (mm)	d1 (mm)	r1 (mm)	r3 (mm)	h3 (mm)	b3 (mm)	Article Number
17	500	16	592	533	543	556	560	7	6	151	74	SF-500-16
18	600	3	692	619	629	649	653	8	7	122	34	SF-600-03
19	600	10	692	619	629	649	653	8	7	142	54	SF-600-10
20	600	16	692	619	629	649	653	8	7	167	79	SF-600-16
21	630	3	714	635	645	664	668	8	7	132	37	SF-630-03
22	630	10	714	635	645	664	668	8	7	152	57	SF-630-10
23	630	16	714	635	645	664	668	8	7	177	82	SF-630-16
24	700	3	800	721	733	758	762	8	7	153	37	SF-700-03
25	700	10	800	721	733	758	762	8	7	177	61	SF-700-10
26	700	16	800	721	733	758	762	8	7	202	86	SF-700-16
27	800	3	908	823	835	862	867	9	7	177	40	SF-800-03
28	800	10	908	823	835	862	867	9	7	203	66	SF-800-10
29	800	16	908	823	835	862	867	9	7	233	96	SF-800-16
30	900	3	1008	925	939	967	972	9	7	160	43	SF-900-03
31	900	6	1008	925	939	967	972	9	7	172	55	SF-900-06
32	900	10	1008	925	939	967	972	9	7	187	70	SF-900-10
33	900	16	1008	925	939	967	972	9	7	222	105	SF-900-16

Disclaimer

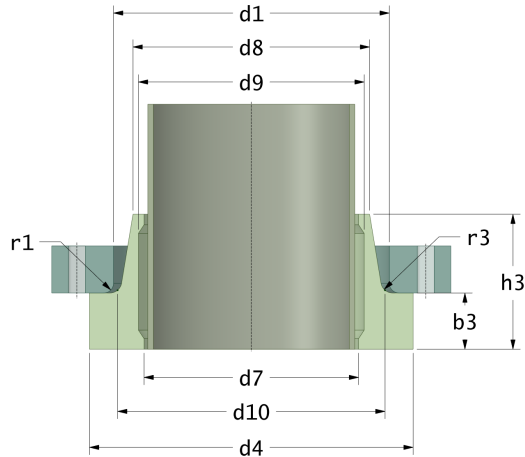
Whilst every care is taken to ensure that the information on this website is complete and accurate, the Rotec Composite Group BV cannot accept responsibility for any omissions or inaccuracies or for any consequences arising therefrom. By using this website, the user accepts the terms of this disclaimer.

16-11-2022

Kraagbussen / Stub Flenzen

Lijmflens (Flat Face) voor GVK buis

All Products



#	DN (mm)	Pmax (bar)	d4 (mm)	d7 (mm)	d8 (mm)	d10 (mm)	d1 (mm)	r1 (mm)	r3 (mm)	h3 (mm)	b3 (mm)	Article Number
34	1000	3	1120	1027	1044	1070	1076	9	7	166	45	SF-1000-03
35	1000	6	1120	1027	1044	1070	1076	9	7	181	60	SF-1000-06
36	1000	10	1120	1027	1044	1070	1076	9	7	197	76	SF-1000-10
37	1000	16	1120	1027	1044	1070	1076	9	7	232	111	SF-1000-16
38	1200	3	1332	1232	1250	1276	1284	10	8	195	50	SF-1200-03
39	1200	6	1332	1232	1250	1276	1284	10	8	210	65	SF-1200-06
40	1200	10	1332	1232	1250	1276	1284	10	8	228	83	SF-1200-10
41	1400	3	1540	1436	1455	1484	1492	10	8	235	60	SF-1400-03
42	1400	6	1540	1436	1455	1484	1492	10	8	250	75	SF-1400-06
43	1400	10	1540	1436	1455	1484	1492	10	8	265	90	SF-1400-10
44	1600	3	1754	1640	1662	1696	1704	10	8	248	66	SF-1600-03
45	1600	6	1754	1640	1662	1696	1704	10	8	268	86	SF-1600-06
46	1600	10	1754	1640	1662	1696	1704	10	8	280	98	SF-1600-10
47	1800	3	1962	1845	1866	1902	1912	12	10	272	72	SF-1800-03
48	1800	6	1962	1845	1866	1902	1912	12	10	292	92	SF-1800-06
49	1800	10	1962	1845	1866	1902	1912	12	10	305	105	SF-1800-10
50	2000	3	2160	2049	2072	2114	2124	12	10	261	76	SF-2000-03

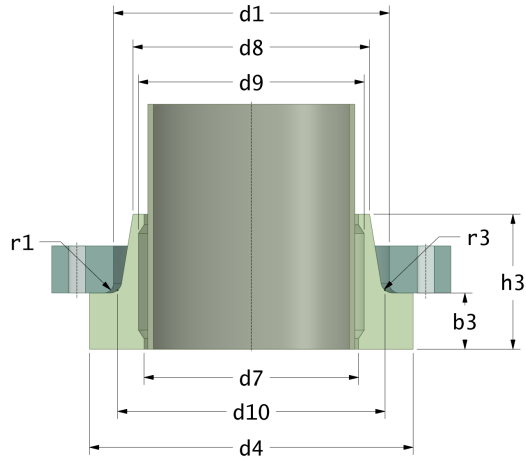
Disclaimer

Whilst every care is taken to ensure that the information on this website is complete and accurate, the Rotec Composite Group BV cannot accept responsibility for any omissions or inaccuracies or for any consequences arising therefrom. By using this website, the user accepts the terms of this disclaimer.

Kraagbussen / Stub Flenzen

Lijmflens (Flat Face) voor GVK buis

All Products



#	DN (mm)	Pmax (bar)	d4 (mm)	d7 (mm)	d8 (mm)	d10 (mm)	d1 (mm)	r1 (mm)	r3 (mm)	h3 (mm)	b3 (mm)	Article Number
51	2000	6	2160	2049	2072	2114	2124	12	10	283	98	SF-2000-06
52	2000	10	2160	2049	2072	2114	2124	12	10	370	125	SF-2000-10
53	2200	3	2370	2253	2276	2296	2308	14	12	295	85	SF-2200-03
54	2200	6	2370	2253	2276	2296	2308	14	12	320	110	SF-2200-06
55	2400	3	2576	2457	2480	2502	2514	14	12	310	90	SF-2400-03
56	2400	6	2576	2457	2480	2502	2514	14	12	340	120	SF-2400-06

Disclaimer

Whilst every care is taken to ensure that the information on this website is complete and accurate, the Rotec Composite Group BV cannot accept responsibility for any omissions or inaccuracies or for any consequences arising therefrom. By using this website, the user accepts the terms of this disclaimer.

16-11-2022