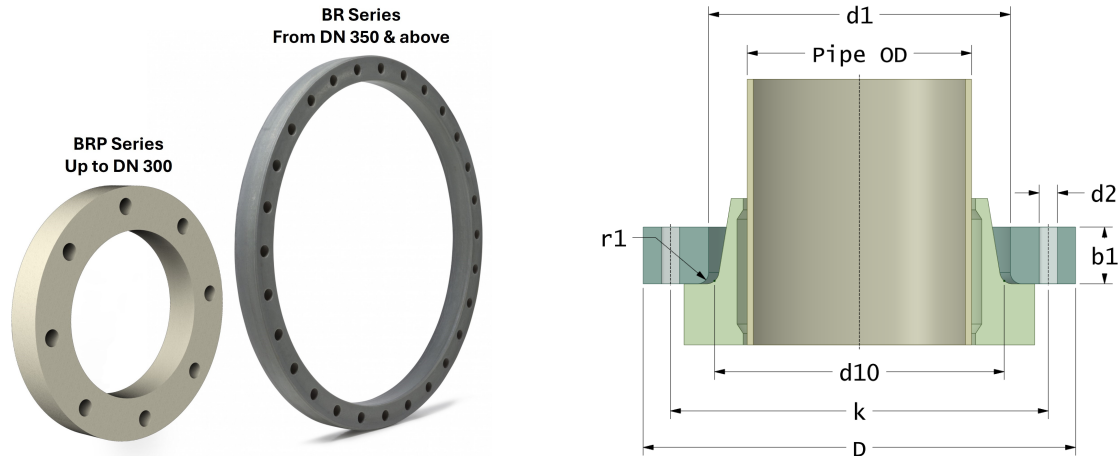


Overschuif Flenzen / Backing Ringen

Type BRP and BR / passend op GVK kraagbus (type TSS/TSC & SF Rotec)

Drilling Standard: ANSI B16.47 Class 300



#	DN (mm)	Pmax (bar)	D (mm)	d1 (mm)	d10 (mm)	r1 (mm)	k (mm)	Holes (no.)	d2 (mm)	b1 (mm)	Article Number
1	700	16	1035	764	760	8	940	28	44	78	BR-700-764-16/300
2	700	20	1035	764	760	8	940	28	44	84	BR-700-764-20/300
3	700	25	1035	764	760	8	940	28	44	98	BR-700-764-25/300
4	800	16	1150	890	886	9	1054	28	51	84	BR-800-890-16/300
5	800	20	1150	890	886	9	1054	28	51	90	BR-800-890-20/300
6	800	25	1150	890	886	9	1054	28	51	106	BR-800-890-25/300
7	900	16	1270	989	985	9	1168	32	54	94	BR-900-989-16/300
8	900	20	1270	989	985	9	1168	32	54	100	BR-900-989-20/300
9	900	25	1270	989	985	9	1168	32	54	118	BR-900-989-25/300

Disclaimer

Whilst every care is taken to ensure that the information on this website is complete and accurate, the Rotec Composite Group BV cannot accept responsibility for any omissions or inaccuracies or for any consequences arising therefrom. By using this website, the user accepts the terms of this disclaimer.