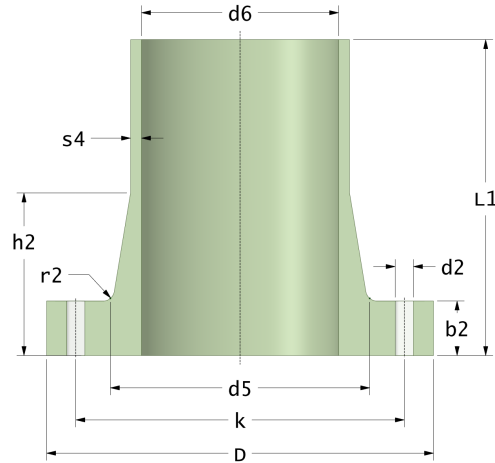


Rotec Flens Nozzles

Vaste flens Tubelure

Drilling Standard: ANSI B16.5 Class 150, Resin Type: Derakane 411



#	DN (mm)	Pmax (bar)	D (mm)	d6 (mm)	d5 (mm)	r2 (mm)	s4 (mm)	k (mm)	Holes (no.)	d2 (mm)	L1 (mm)	h2 (mm)	b2 (mm)	Article Number
1	15	16	98	15	35	1	4	61	4	16	200	25	12	TFS-15-200/150
2	20	16	98	20	42	1	4	70	4	16	200	25	13	TFS-20-200/150
3	25	16	116	25	50	1	4	79	4	16	250	30	14	TFS-25-250/150
4	32	16	116	32	62	1	5	89	4	16	250	35	15	TFS-32-250/150
5	40	16	150	40	68	1	5	98	4	16	300	40	16	TFS-40-300/150
6	50	16	164	50	82	1	5	121	4	19	300	40	18	TFS-50-300/150
7	50	16	164	50	82	1	5	121	4	19	600	40	18	TFS-50-600/150
8	65	16	184	65	95	1	5	140	4	19	300	50	20	TFS-65-300/150
9	80	16	200	80	111	2	6	152	4	19	300	50	22	TFS-80-300/150
10	80	16	200	80	111	2	6	152	4	19	600	50	22	TFS-80-600/150
11	100	16	228	100	133	2	6	190	8	19	300	55	25	TFS-100-300/150
12	100	16	228	100	133	2	6	190	8	19	600	55	25	TFS-100-600/150
13	125	16	254	125	160	2	6	216	8	22	300	65	27	TFS-125-300/150
14	125	16	254	125	160	2	6	216	8	22	600	65	27	TFS-125-600/150
15	150	16	284	150	188	3	6	241	8	22	300	70	30	TFS-150-300/150
16	150	16	284	150	188	3	6	241	8	22	600	70	30	TFS-150-600/150
17	200	10	342	200	237	4	6	298	8	22	360	85	25	TFS-200-360/150
18	200	10	342	200	237	4	6	298	8	22	600	85	25	TFS-200-600/150

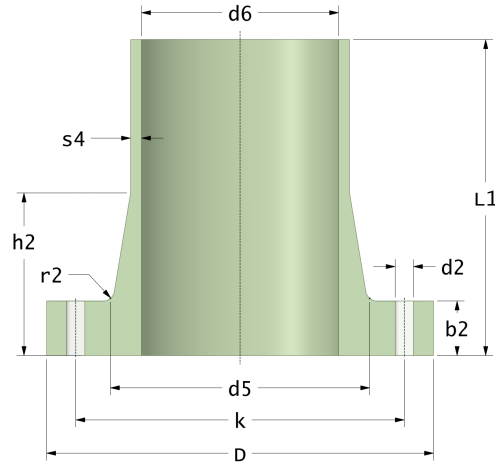
Disclaimer

Whilst every care is taken to ensure that the information on this website is complete and accurate, the Rotec Composite Group BV cannot accept responsibility for any omissions or inaccuracies or for any consequences arising therefrom. By using this website, the user accepts the terms of this disclaimer.

Rotec Flens Nozzles

Vaste flens Tubelure

Drilling Standard: ANSI B16.5 Class 150, Resin Type: Derakane 411



#	DN (mm)	Pmax (bar)	D (mm)	d6 (mm)	d5 (mm)	r2 (mm)	s4 (mm)	k (mm)	Holes (no.)	d2 (mm)	L1 (mm)	h2 (mm)	b2 (mm)	Article Number
19	250	10	419	254	284	5	9.5	362	12	25	305	102	30	TFS-250-300/150
20	300	10	495	305	341	6	11.1	432	12	25	305	127	36	TFS-300-300/150
21	350	10	546	356	394	7	12.7	476	12	29	305	152	45	TFS-350-300/150
22	400	6	610	406	448	8	14.3	540	16	29	305	152	41	TFS-400-300/150
23	450	6	648	457	502	8	15.9	578	16	32	305	178	44	TFS-450-300/150
24	500	6	711	508	556	8	17.5	635	20	32	305	178	48	TFS-500-300/150

Disclaimer

Whilst every care is taken to ensure that the information on this website is complete and accurate, the Rotec Composite Group BV cannot accept responsibility for any omissions or inaccuracies or for any consequences arising therefrom. By using this website, the user accepts the terms of this disclaimer.