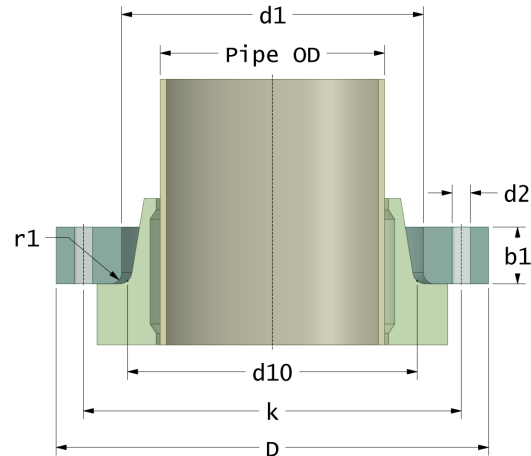


Rotec FRP Overschuif Flenzen

passend op GVK kraagbus Rotec

Drilling Standard: JIS B2220 16K



#	DN (mm)	Pmax (bar)	D (mm)	d1 (mm)	d10 (mm)	r1 (mm)	k (mm)	Holes (no.)	d2 (mm)	b1 (mm)	Article Number
1	150	10	305	193	190	6	260	12	25	30	BR-150-193-10/16K
2	150	16	305	193	190	6	260	12	25	38	BR-150-193-16/16K
3	150	20	305	193	190	6	260	12	25	43	BR-150-193-20/16K
4	200	10	350	250	246	6	305	12	25	32	BR-200-250-10/16K
5	200	16	350	250	246	6	305	12	25	40	BR-200-250-16/16K
6	250	10	430	304	300	6	380	12	27	34	BR-250-304-10/16K
7	250	16	430	304	300	6	380	12	27	42	BR-250-304-16/16K
8	250	20	430	304	300	6	380	12	27	45	BR-250-304-20/16K
9	300	10	490	359	353	6	430	16	27	37	BR-300-359-10/16K
10	300	16	490	359	353	6	430	16	27	47	BR-300-359-16/16K
11	350	10	540	414	408	8	480	16	33	44	BR-350-414-10/16K
12	350	16	540	414	408	8	480	16	33	55	BR-350-414-16/16K
13	400	10	600	455	453	6	540	16	33	47	BR-400-455-10/16K
14	400	16	600	469	463	9	540	16	33	58	BR-400-469-16/16K
15	450	10	710	508	506	6	605	20	33	53	BR-450-508-10/16K
16	450	16	710	533	527	9	605	20	33	67	BR-450-533-16/16K

Disclaimer

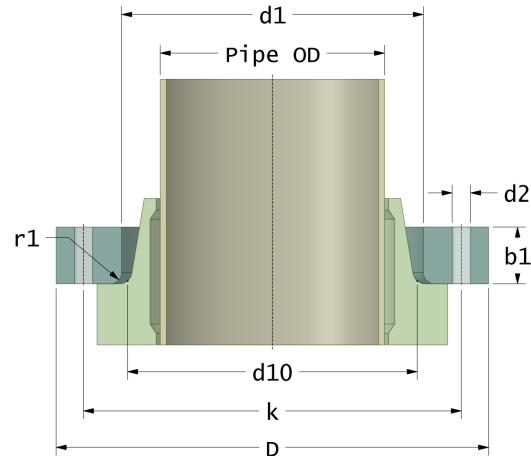
Whilst every care is taken to ensure that the information on this website is complete and accurate, the Rotec Composite Group BV cannot accept responsibility for any omissions or inaccuracies or for any consequences arising therefrom. By using this website, the user accepts the terms of this disclaimer.

12-04-2024

Rotec FRP Overschuif Flenzen

passend op GVK kraagbus Rotec

Drilling Standard: JIS B2220 16K



#	DN (mm)	Pmax (bar)	D (mm)	d1 (mm)	d10 (mm)	r1 (mm)	k (mm)	Holes (no.)	d2 (mm)	b1 (mm)	Article Number
17	500	10	735	565	558	8	660	20	33	57	BR-500-565-10/16K
18	500	16	735	565	558	8	660	20	33	72	BR-500-565-16/16K
19	630	10	844	668	649	8	770	24	39	62	BR-630-668-10/16K
20	630	16	844	668	649	8	770	24	39	78	BR-630-668-16/16K
21	700	10	960	783	775	10	875	24	42	64	BR-700-783-10/16K
22	700	16	960	783	775	10	875	24	42	82	BR-700-783-16/16K
23	700	20	960	783	775	10	875	24	42	105	BR-700-783-20/16K
24	800	10	1085	854	850	13	990	24	48	70	BR-800-854-10/16K
25	800	16	1085	854	850	13	990	24	48	88	BR-800-854-16/16K
26	800	20	1085	892	884	11	990	24	48	115	BR-800-892-20/16K
27	900	10	1190	956	952	13	1090	28	48	87	BR-900-956-10/16K
28	900	16	1190	956	952	13	1090	28	48	110	BR-900-956-16/16K
29	1000	10	1320	1064	1060	13	1210	28	56	90	BR-1000-1064-10/16K
30	1000	16	1320	1064	1060	13	1210	28	56	131	BR-1000-1064-16/16K
31	1100	10	1430	1168	1158	9	1310	32	56	109	BR-1100-1168-10/16K
32	1100	10	1430	1198	1188	9	1310	32	56	117	BR-1100-1198-10/16K
33	1100	16	1430	1168	1158	9	1310	32	56	137	BR-1100-1168-16/16K

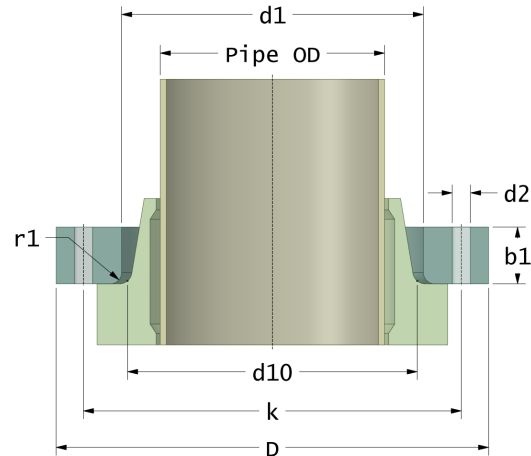
Disclaimer

Whilst every care is taken to ensure that the information on this website is complete and accurate, the Rotec Composite Group BV cannot accept responsibility for any omissions or inaccuracies or for any consequences arising therefrom. By using this website, the user accepts the terms of this disclaimer.

Rotec FRP Overschuif Flenzen

passend op GVK kraagbus Rotec

Drilling Standard: JIS B2220 16K



#	DN (mm)	Pmax (bar)	D (mm)	d1 (mm)	d10 (mm)	r1 (mm)	k (mm)	Holes (no.)	d2 (mm)	b1 (mm)	Article Number
34	1100	16	1430	1198	1188	9	1310	32	56	140	BR-1100-1198-16/16K
35	1200	10	1540	1282	1278	11	1420	32	56	100	BR-1200-1282-10/16K
36	1200	16	1540	1282	1278	11	1420	32	56	152	BR-1200-1282-16/16K

Disclaimer

Whilst every care is taken to ensure that the information on this website is complete and accurate, the Rotec Composite Group BV cannot accept responsibility for any omissions or inaccuracies or for any consequences arising therefrom. By using this website, the user accepts the terms of this disclaimer.

12-04-2024