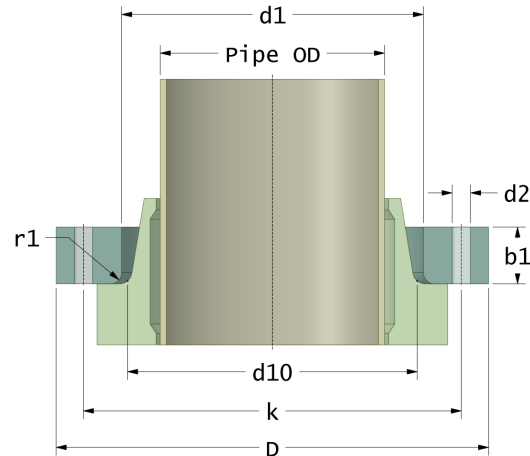


Rotec FRP Overschuif Flenzen

Steuning door warm persen

Drilling Standard: EN1092 PN10, Pipe Type: PVC



#	DN (mm)	Pmax (bar)	Pipe OD (mm)	D (mm)	d1 (mm)	d10 (mm)	r1 (mm)	k (mm)	Holes (no.)	d2 (mm)	b1 (mm)	Article Number
1	10	16	15	98	23	22	3	60	4	14	15	BRPVC-10-23-16/16
2	15	16	20	98	28	27	3	65	4	14	15	BRPVC-15-28-16/16
3	20	16	25	116	34	33	3	75	4	14	15	BRPVC-20-34-16/16
4	25	16	32	116	42	40	3	85	4	14	15	BRPVC-25-42-16/16
5	32	16	40	140	51	50	3	100	4	18	16	BRPVC-32-51-16/16
6	40	16	50	154	62	61	3	110	4	18	18	BRPVC-40-62-16/16
7	50	16	63	164	78	77	4	125	4	18	18	BRPVC-50-78-16/16
8	65	10	75	184	92	89	4	145	4	18	16	BRPVC-65-92-10/16
9	80	6	90	200	112	111	4	160	8	18	18	BRPVC-80-112-06/16
10	80	10	90	200	112	111	4	160	8	18	23	BRPVC-80-112-10/16
11	100	6	125	228	134	133	5	180	8	18	20	BRPVC-100-134-06/16
12	100	10	125	228	134	133	5	180	8	18	25	BRPVC-100-134-10/16
13	125	6	140	254	167	163	5	210	8	18	22	BRPVC-125-167-06/16
14	125	10	140	254	167	163	5	210	8	18	28	BRPVC-125-167-10/16
15	150	6	160	284	189	182	5	240	8	22	25	BRPVC-150-189-06/16
16	150	10	160	284	189	182	5	240	8	22	34	BRPVC-150-189-10/16

Disclaimer

Whilst every care is taken to ensure that the information on this website is complete and accurate, the Rotec Composite Group BV cannot accept responsibility for any omissions or inaccuracies or for any consequences arising therefrom. By using this website, the user accepts the terms of this disclaimer.

Rotec FRP Overschuif Flenzen

Steuning door warm persen

Drilling Standard: EN1092 PN10, Pipe Type: PVC



#	DN (mm)	Pmax (bar)	Pipe OD (mm)	D (mm)	d1 (mm)	d10 (mm)	r1 (mm)	k (mm)	Holes (no.)	d2 (mm)	b1 (mm)	Article Number
17	200	4	200	342	226	222	6	295	8	22	25	BRPVC-200-226-04/10
18	200	4	200	342	235	232	6	295	8	22	25	BRPVC-200-235-04/10
19	200	4	225	342	252	248	6	295	8	22	25	BRPVC-200-252-04/10
20	200	10	200	342	226	222	6	295	8	22	38	BRPVC-200-226-10/10
21	200	10	200	342	235	232	6	295	8	22	38	BRPVC-200-235-10/10
22	200	10	225	342	252	248	6	295	8	22	38	BRPVC-200-252-10/10
23	250	4	250	405	277	273	6	350	12	22	28	BRPVC-250-277-04/10
24	250	4	280	405	310	306	6	350	12	22	28	BRPVC-250-310-04/10
25	250	10	250	405	277	273	6	350	12	22	42	BRPVC-250-277-10/10
26	250	10	280	405	310	306	6	350	12	22	42	BRPVC-250-310-10/10
27	300	4	315	458	348	347	6	400	12	22	32	BRPVC-300-348-04/10
28	300	10	315	458	348	347	6	400	12	22	48	BRPVC-300-348-10/10

Disclaimer

Whilst every care is taken to ensure that the information on this website is complete and accurate, the Rotec Composite Group BV cannot accept responsibility for any omissions or inaccuracies or for any consequences arising therefrom. By using this website, the user accepts the terms of this disclaimer.

18-12-2024