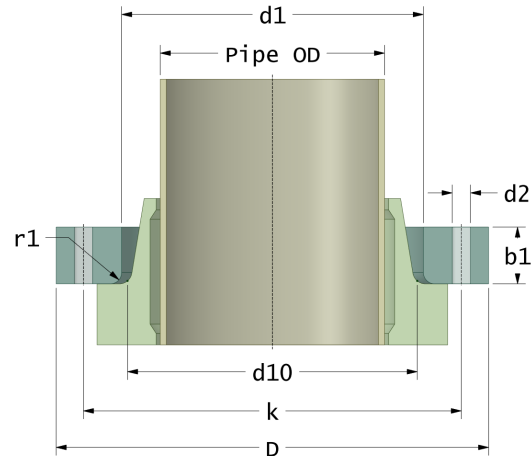


# Anneaux de recouvrement FRP

Anneau de renfort adapté pour bride PE & PP

Drilling Standard: EN1092 PN10



#	DN (mm)	Pmax (bar)	Pipe OD (mm)	D (mm)	d1 (mm)	d10 (mm)	r1 (mm)	k (mm)	Holes (no.)	d2 (mm)	b1 (mm)	Resin Type	Product Color	Article Number
1	15	16	20	98	28	27	3	65	4	14	15	Polyester	Black	BRPPE-15-28-16/16
2	20	16	25	116	34	33	3	75	4	14	15	Polyester	Black	BRPPE-20-34-16/16
3	25	16	32	116	42	40	3	85	4	14	15	Polyester	Black	BRPPE-25-42-16/16
4	32	16	40	140	51	50	3	100	4	18	16	Polyester	Black	BRPPE-32-51-16/16
5	40	16	50	154	62	61	3	110	4	18	18	Polyester	Black	BRPPE-40-62-16/16
6	50	16	63	164	78	77	4	125	4	18	18	Polyester	Black	BRPPE-50-78-16/16
7	65	16	75	184	92	89	4	145	4	18	20	Polyester	Black	BRPPE-65-92-16/16
8	80	10	90	200	108	107	4	160	8	18	23	Polyester	Black	BRPPE-80-108-10/16
9	100	6	110	228	128	125	5	180	8	18	20	Polyester	Black	BRPPE-100-128-06/16
10	100	6	125	228	134	133	5	180	8	18	20	Polyester	Black	BRPPE-100-134-06/16
11	100	10	110	228	128	125	5	180	8	18	25	Polyester	Black	BRPPE-100-128-10/16
12	100	10	125	228	134	133	5	180	8	18	25	Polyester	Black	BRPPE-100-134-10/16
13	125	6	140	254	158	155	5	210	8	18	22	Polyester	Black	BRPPE-125-158-06/16
14	125	10	140	254	158	155	5	210	8	18	28	Polyester	Black	BRPPE-125-158-10/16
15	150	6	160	284	178	175	5	240	8	22	25	Polyester	Black	BRPPE-150-178-06/16
16	150	6	180	284	185	182	5	240	8	22	25	Polyester	Black	BRPPE-150-185-06/16
17	150	10	160	284	178	175	5	240	8	22	32	Polyester	Black	BRPPE-150-178-10/16
18	150	10	180	284	185	182	5	240	8	22	32	Polyester	Black	BRPPE-150-185-10/16
19	200	6	200	342	235	232	6	295	8	22	30	Polyester	Black	BRPPE-200-235-06/10
20	200	6	225	342	238	237	6	295	8	22	30	Polyester	Black	BRPPE-200-238-06/10
21	200	10	200	342	235	232	6	295	8	22	38	Polyester	Black	BRPPE-200-235-10/10

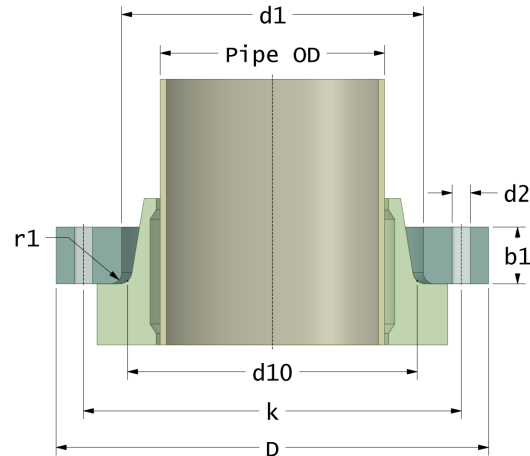
## Disclaimer

Whilst every care is taken to ensure that the information on this website is complete and accurate, the Rotec Composite Group BV cannot accept responsibility for any omissions or inaccuracies or for any consequences arising therefrom. By using this website, the user accepts the terms of this disclaimer.

# Anneaux de recouvrement FRP

Anneau de renfort adapté pour bride PE & PP

Drilling Standard: EN1092 PN10



#	DN (mm)	Pmax (bar)	Pipe OD (mm)	D (mm)	d1 (mm)	d10 (mm)	r1 (mm)	k (mm)	Holes (no.)	d2 (mm)	b1 (mm)	Resin Type	Product Color	Article Number
22	200	10	225	342	238	237	6	295	8	22	38	Polyester	Black	BRPPE-200-238-10/10
23	250	6	250	405	288	285	6	350	12	22	32	Polyester	Black	BRPPE-250-288-06/10
24	250	6	280	405	294	293	6	350	12	22	32	Polyester	Black	BRPPE-250-294-06/10
25	250	10	250	405	288	285	6	350	12	22	42	Polyester	Black	BRPPE-250-288-10/10
26	250	10	280	405	294	293	6	350	12	22	42	Polyester	Black	BRPPE-250-294-10/10
27	300	6	315	458	338	335	6	400	12	22	38	Polyester	Black	BRPPE-300-338-06/10
28	300	10	315	458	338	335	6	400	12	22	48	Polyester	Black	BRPPE-300-338-10/10
29	350	10	355	510	376	373	6	460	16	22	42	Vinylester	Grey	BR-350-376-10/10
30	400	10	400	570	430	427	6	515	16	26	44	Vinylester	Grey	BR-400-430-10/10
31	500	10	450	674	517	514	6	620	20	26	57	Vinylester	Grey	BR-500-517-10/10
32	500	10	500	674	533	530	6	620	20	26	57	Vinylester	Grey	BR-500-533-10/10
33	600	6	560	784	618	615	7	725	20	30	34	Vinylester	Grey	BR-600-618-06/10
34	600	6	630	784	648	644	7	725	20	30	34	Vinylester	Grey	BR-600-648-06/10
35	600	10	560	784	618	615	7	725	20	30	62	Vinylester	Grey	BR-600-618-10/10
36	600	10	630	784	648	644	7	725	20	30	64	Vinylester	Grey	BR-600-648-10/10
37	700	3	710	910	740	737	7	840	24	30	37	Vinylester	Grey	BR-700-740-03/10
38	700	10	630	910	648	644	7	840	24	30	67	Vinylester	Grey	BR-700-648-10/10
39	700	10	710	910	740	737	7	840	24	30	67	Vinylester	Grey	BR-700-740-10/10
40	800	3	800	1025	843	840	7	950	24	33	38	Vinylester	Grey	BR-800-843-03/10
41	800	6	800	1025	843	840	7	950	24	33	54	Vinylester	Grey	BR-800-843-06/10
42	800	10	800	1025	843	840	7	950	24	33	73	Vinylester	Grey	BR-800-843-10/10

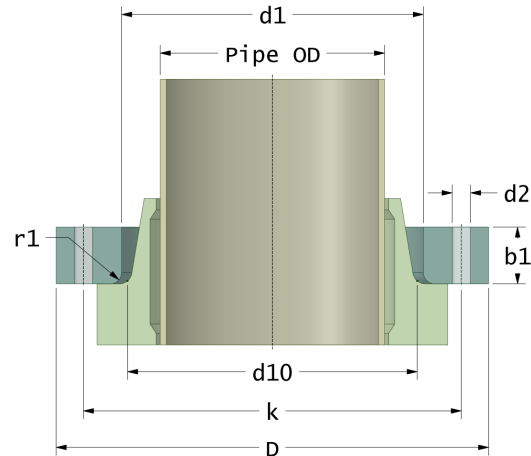
## Disclaimer

Whilst every care is taken to ensure that the information on this website is complete and accurate, the Rotec Composite Group BV cannot accept responsibility for any omissions or inaccuracies or for any consequences arising therefrom. By using this website, the user accepts the terms of this disclaimer.

# Anneaux de recouvrement FRP

Anneau de renfort adapté pour bride PE & PP

Drilling Standard: EN1092 PN10



#	DN (mm)	Pmax (bar)	Pipe OD (mm)	D (mm)	d1 (mm)	d10 (mm)	r1 (mm)	k (mm)	Holes (no.)	d2 (mm)	b1 (mm)	Resin Type	Product Color	Article Number
43	900	3	900	1125	947	944	7	1050	28	33	42	Vinylester	Grey	BR-900-947-03/10
44	900	3	900	1190	947	944	7	1086	32	41	42	Vinylester	Grey	BR-900-947-03/150
45	900	6	900	1125	947	944	7	1050	28	33	62	Vinylester	Grey	BR-900-947-06/10
46	900	10	900	1125	947	944	7	1050	28	33	87	Vinylester	Grey	BR-900-947-10/10
47	1000	3	1000	1234	1050	1047	7	1160	28	36	45	Vinylester	Grey	BR-1000-1050-03/10
48	1000	6	1000	1234	1050	1047	7	1160	28	36	65	Vinylester	Grey	BR-1000-1050-06/10
49	1000	10	1000	1234	1050	1047	7	1160	28	36	90	Vinylester	Grey	BR-1000-1050-10/10
50	1200	3	1200	1470	1250	1245	8	1380	32	39	55	Vinylester	Grey	BR-1200-1250-03/10
51	1200	6	1200	1470	1250	1245	8	1380	32	39	70	Vinylester	Grey	BR-1200-1250-06/10
52	1200	10	1200	1470	1250	1245	8	1380	32	39	100	Vinylester	Grey	BR-1200-1250-10/10
53	1400	3	1400	1700	1450	1445	8	1590	36	42	60	Vinylester	Grey	BR-1400-1450-03/10
54	1400	6	1400	1700	1450	1445	8	1590	36	42	80	Vinylester	Grey	BR-1400-1450-06/10
55	1400	10	1400	1700	1450	1445	8	1590	36	42	105	Vinylester	Grey	BR-1400-1450-10/10
56	1600	3	1600	1950	1650	1645	9	1820	40	48	70	Vinylester	Grey	BR-1600-1650-03/10
57	1600	6	1600	1950	1650	1645	9	1820	40	48	90	Vinylester	Grey	BR-1600-1650-06/10
58	1800	3	1800	2150	1860	1850	9	2020	44	48	75	Vinylester	Grey	BR-1800-1860-03/10
59	1800	6	1800	2150	1860	1850	9	2020	44	48	100	Vinylester	Grey	BR-1800-1860-06/10
60	2000	3	2000	2360	2060	2050	10	2230	48	48	80	Vinylester	Grey	BR-2000-2060-03/10
61	2000	6	2000	2360	2060	2050	10	2230	48	48	110	Vinylester	Grey	BR-2000-2060-06/10
62	2200	3	2200	2580	2260	2250	10	2440	52	56	90	Vinylester	Grey	BR-2200-2260-03/10
63	2200	6	2200	2580	2260	2250	10	2440	52	56	122	Vinylester	Grey	BR-2200-2260-06/10

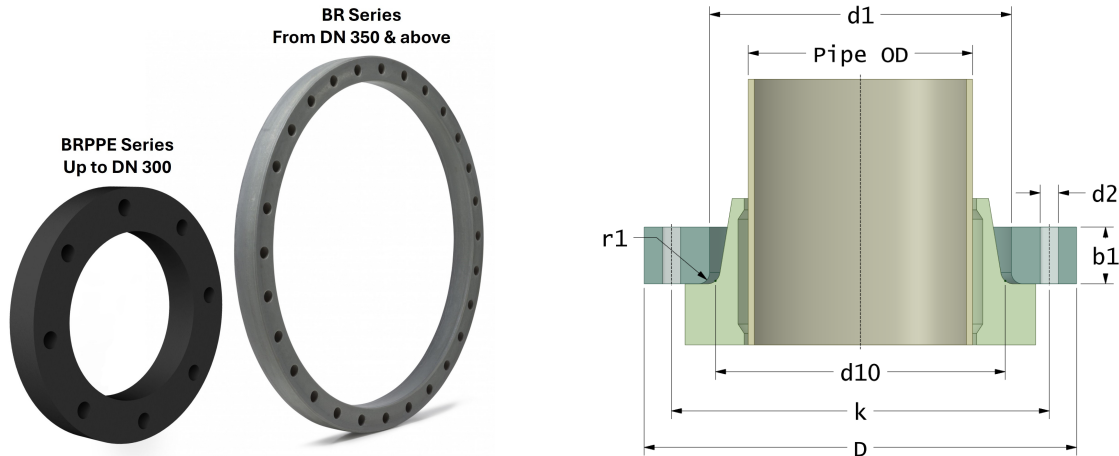
## Disclaimer

Whilst every care is taken to ensure that the information on this website is complete and accurate, the Rotec Composite Group BV cannot accept responsibility for any omissions or inaccuracies or for any consequences arising therefrom. By using this website, the user accepts the terms of this disclaimer.

# Anneaux de recouvrement FRP

Anneau de renfort adapté pour bride PE & PP

Drilling Standard: EN1092 PN10



#	DN (mm)	Pmax (bar)	Pipe OD (mm)	D (mm)	d1 (mm)	d10 (mm)	r1 (mm)	k (mm)	Holes (no.)	d2 (mm)	b1 (mm)	Resin Type	Product Color	Article Number
64	2400	3	2400	2790	2460	2450	12	2650	56	56	95	Vinylester	Grey	BR-2400-2460-03/10
65	2400	6	2400	2790	2460	2450	12	2650	56	56	130	Vinylester	Grey	BR-2400-2460-06/10

## Disclaimer

Whilst every care is taken to ensure that the information on this website is complete and accurate, the Rotec Composite Group BV cannot accept responsibility for any omissions or inaccuracies or for any consequences arising therefrom. By using this website, the user accepts the terms of this disclaimer.