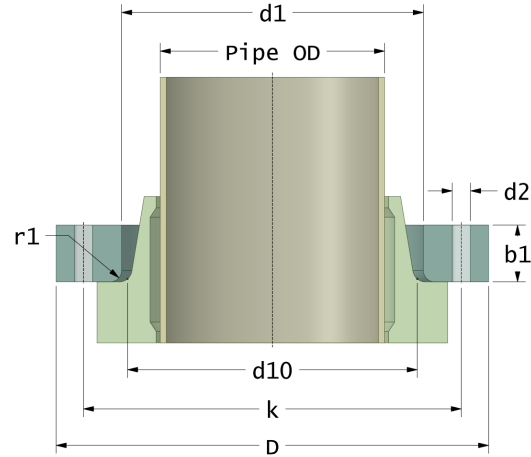


Anneaux de recouvrement FRP

Anneau de renfort adapté pour bride PE & PP

Drilling Standard: ANSI B16.5 Class 150



#	DN (mm)	Pmax (bar)	Pipe OD (mm)	D (mm)	d1 (mm)	d10 (mm)	r1 (mm)	k (mm)	Holes (no.)	d2 (mm)	b1 (mm)	Resin Type	Product Color	Article Number
1	15	16	20	98	28	27	3	60	4	16	15	Polyester	Black	BRPPE-15-28-16/150
2	20	16	25	98	34	33	3	70	4	16	15	Polyester	Black	BRPPE-20-34-16/150
3	25	16	32	116	42	40	3	79	4	16	15	Polyester	Black	BRPPE-25-42-16/150
4	32	16	40	116	51	50	3	89	4	16	16	Polyester	Black	BRPPE-32-51-16/150
5	40	16	50	140	62	61	3	98	4	16	18	Polyester	Black	BRPPE-40-62-16/150
6	50	16	63	154	78	75	4	121	4	19	18	Polyester	Black	BRPPE-50-78-16/150
7	65	10	75	184	92	89	4	140	4	19	16	Polyester	Black	BRPPE-65-92-10/150
8	65	16	75	184	92	89	4	140	4	19	20	Polyester	Black	BRPPE-65-92-16/150
9	80	6	90	200	108	107	4	152	4	19	18	Polyester	Black	BRPPE-80-108-06/150
10	80	10	90	200	108	107	4	152	4	19	23	Polyester	Black	BRPPE-80-108-10/150
11	80	16	90	200	108	107	4	152	4	19	28	Polyester	Black	BRPPE-80-108-16/150
12	100	6	110	228	128	125	5	190	8	19	20	Polyester	Black	BRPPE-100-128-06/150
13	100	6	125	228	134	133	5	190	8	19	20	Polyester	Black	BRPPE-100-134-06/150
14	100	10	110	228	128	125	5	190	8	19	25	Polyester	Black	BRPPE-100-128-10/150
15	100	10	125	228	134	133	5	190	8	19	25	Polyester	Black	BRPPE-100-134-10/150
16	100	16	110	228	128	125	5	190	8	19	30	Polyester	Black	BRPPE-100-128-16/150
17	100	16	125	228	134	133	5	190	8	19	30	Polyester	Black	BRPPE-100-134-16/150
18	125	6	140	254	158	155	5	216	8	22	22	Polyester	Black	BRPPE-125-158-06/150
19	125	10	140	254	158	155	5	216	8	22	28	Polyester	Black	BRPPE-125-158-10/150
20	125	16	140	254	158	155	5	216	8	22	34	Polyester	Black	BRPPE-125-158-16/150
21	150	6	160	284	178	175	5	241	8	22	25	Polyester	Black	BRPPE-150-178-06/150

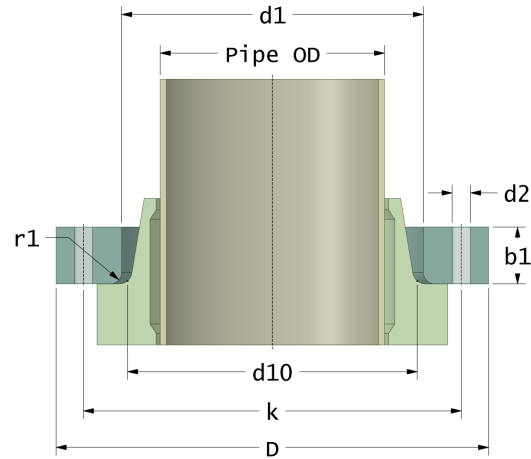
Disclaimer

Whilst every care is taken to ensure that the information on this website is complete and accurate, the Rotec Composite Group BV cannot accept responsibility for any omissions or inaccuracies or for any consequences arising therefrom. By using this website, the user accepts the terms of this disclaimer.

Anneaux de recouvrement FRP

Anneau de renfort adapté pour bride PE & PP

Drilling Standard: ANSI B16.5 Class 150



#	DN (mm)	Pmax (bar)	Pipe OD (mm)	D (mm)	d1 (mm)	d10 (mm)	r1 (mm)	k (mm)	Holes (no.)	d2 (mm)	b1 (mm)	Resin Type	Product Color	Article Number
22	150	6	180	284	185	182	5	241	8	22	25	Polyester	Black	BRPPE-150-185-06/150
23	150	10	160	284	178	175	5	241	8	22	32	Polyester	Black	BRPPE-150-178-10/150
24	150	10	180	284	185	182	5	241	8	22	32	Polyester	Black	BRPPE-150-185-10/150
25	150	16	160	284	178	175	5	241	8	22	40	Polyester	Black	BRPPE-150-178-16/150
26	150	16	180	284	185	182	5	241	8	22	40	Polyester	Black	BRPPE-150-185-16/150
27	200	6	200	342	235	232	6	298	8	22	30	Polyester	Black	BRPPE-200-235-06/150
28	200	6	225	342	238	237	6	298	8	22	30	Polyester	Black	BRPPE-200-238-06/150
29	200	10	200	342	235	232	6	298	8	22	38	Polyester	Black	BRPPE-200-235-10/150
30	200	10	225	342	238	237	6	298	8	22	38	Polyester	Black	BRPPE-200-238-10/150
31	200	16	200	342	235	232	6	298	8	22	48	Polyester	Black	BRPPE-200-235-16/150
32	200	16	225	342	238	237	6	298	8	22	48	Polyester	Black	BRPPE-200-238-16/150
33	250	6	250	405	288	285	6	362	12	26	32	Polyester	Black	BRPPE-250-288-06/150
34	250	6	280	405	294	293	6	362	12	26	32	Polyester	Black	BRPPE-250-294-06/150
35	250	10	250	405	288	285	6	362	12	26	42	Polyester	Black	BRPPE-250-288-10/150
36	250	10	280	405	294	293	6	362	12	26	42	Polyester	Black	BRPPE-250-294-10/150
37	250	16	250	405	288	285	6	362	12	26	54	Polyester	Black	BRPPE-250-288-16/150
38	250	16	280	405	294	293	6	362	12	26	54	Polyester	Black	BRPPE-250-294-16/150
39	300	6	315	485	338	335	6	432	12	26	38	Polyester	Black	BRPPE-300-338-06/150
40	300	10	315	485	338	335	6	432	12	26	52	Polyester	Black	BRPPE-300-338-10/150
41	350	10	355	540	358	355	6	476	12	29	42	Vinylester	Grey	BR-350-358-10/150
42	350	10	355	540	376	373	6	476	12	29	42	Vinylester	Grey	BR-350-376-10/150

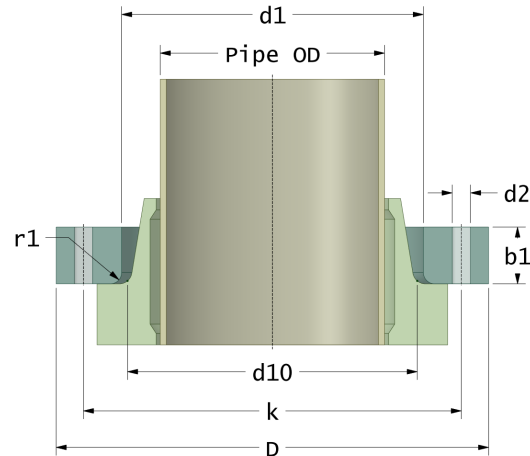
Disclaimer

Whilst every care is taken to ensure that the information on this website is complete and accurate, the Rotec Composite Group BV cannot accept responsibility for any omissions or inaccuracies or for any consequences arising therefrom. By using this website, the user accepts the terms of this disclaimer.

Anneaux de recouvrement FRP

Anneau de renfort adapté pour bride PE & PP

Drilling Standard: ANSI B16.5 Class 150



#	DN (mm)	Pmax (bar)	Pipe OD (mm)	D (mm)	d1 (mm)	d10 (mm)	r1 (mm)	k (mm)	Holes (no.)	d2 (mm)	b1 (mm)	Resin Type	Product Color	Article Number
43	350	16	355	540	358	355	6	476	12	29	52	Vinylester	Grey	BR-350-358-16/150
44	350	16	355	540	376	373	6	476	12	29	52	Vinylester	Grey	BR-350-376-16/150
45	400	10	400	600	404	400	6	540	16	29	44	Vinylester	Grey	BR-400-404-10/150
46	400	10	400	600	430	427	6	540	16	29	44	Vinylester	Grey	BR-400-430-10/150
47	400	16	400	600	404	400	6	540	16	29	54	Vinylester	Grey	BR-400-404-16/150
48	400	16	400	600	430	427	6	540	16	29	54	Vinylester	Grey	BR-400-430-16/150
49	450	10	450	644	454	450	6	578	16	32	54	Vinylester	Grey	BR-450-454-10/150
50	450	10	450	644	465	460	6	578	16	32	54	Vinylester	Grey	BR-450-465-10/150
51	450	10	450	644	517	514	6	578	16	32	54	Vinylester	Grey	BR-450-517-10/150
52	450	16	450	644	454	450	6	578	16	32	66	Vinylester	Grey	BR-450-454-16/150
53	450	16	450	644	465	460	6	578	16	32	66	Vinylester	Grey	BR-450-465-16/150
54	450	16	450	644	517	514	6	578	16	32	66	Vinylester	Grey	BR-450-517-16/150
55	500	10	500	720	504	500	6	635	20	32	57	Vinylester	Grey	BR-500-504-10/150
56	500	10	500	720	533	530	6	635	20	32	57	Vinylester	Grey	BR-500-533-10/150
57	500	16	500	720	504	500	6	635	20	32	72	Vinylester	Grey	BR-500-504-16/150
58	500	16	500	720	533	530	6	635	20	32	72	Vinylester	Grey	BR-500-533-16/150
59	600	10	560	844	618	615	7	749	20	35	62	Vinylester	Grey	BR-600-618-10/150
60	600	10	600	844	604	600	7	749	20	35	62	Vinylester	Grey	BR-600-604-10/150
61	600	10	630	844	648	644	7	749	20	35	62	Vinylester	Grey	BR-600-648-10/150
62	600	16	560	844	618	615	7	749	20	35	77	Vinylester	Grey	BR-600-618-16/150
63	600	16	600	844	604	600	7	749	20	35	77	Vinylester	Grey	BR-600-604-16/150

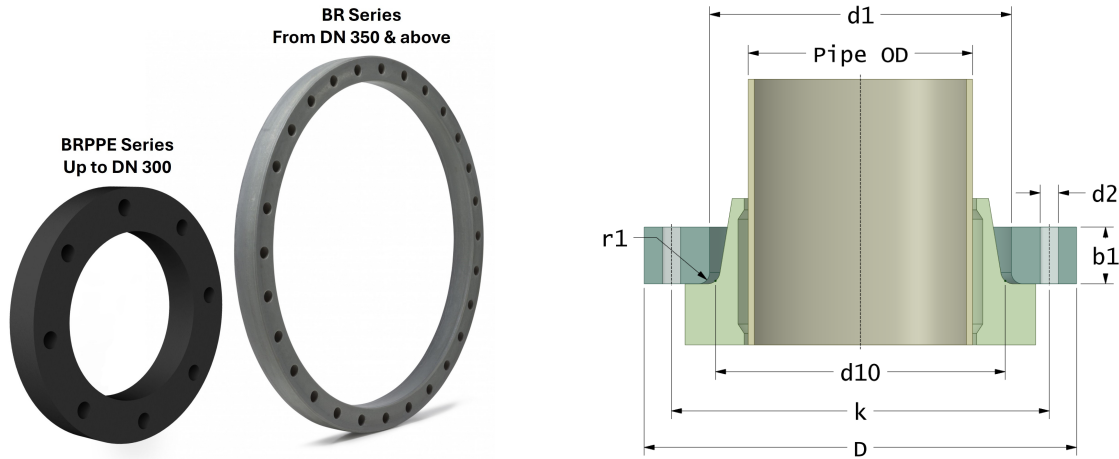
Disclaimer

Whilst every care is taken to ensure that the information on this website is complete and accurate, the Rotec Composite Group BV cannot accept responsibility for any omissions or inaccuracies or for any consequences arising therefrom. By using this website, the user accepts the terms of this disclaimer.

Anneaux de recouvrement FRP

Anneau de renfort adapté pour bride PE & PP

Drilling Standard: ANSI B16.5 Class 150



#	DN (mm)	Pmax (bar)	Pipe OD (mm)	D (mm)	d1 (mm)	d10 (mm)	r1 (mm)	k (mm)	Holes (no.)	d2 (mm)	b1 (mm)	Resin Type	Product Color	Article Number
64	600	16	630	844	648	644	7	749	20	35	77	Vinylester	Grey	BR-600-648-16/150

Disclaimer

Whilst every care is taken to ensure that the information on this website is complete and accurate, the Rotec Composite Group BV cannot accept responsibility for any omissions or inaccuracies or for any consequences arising therefrom. By using this website, the user accepts the terms of this disclaimer.