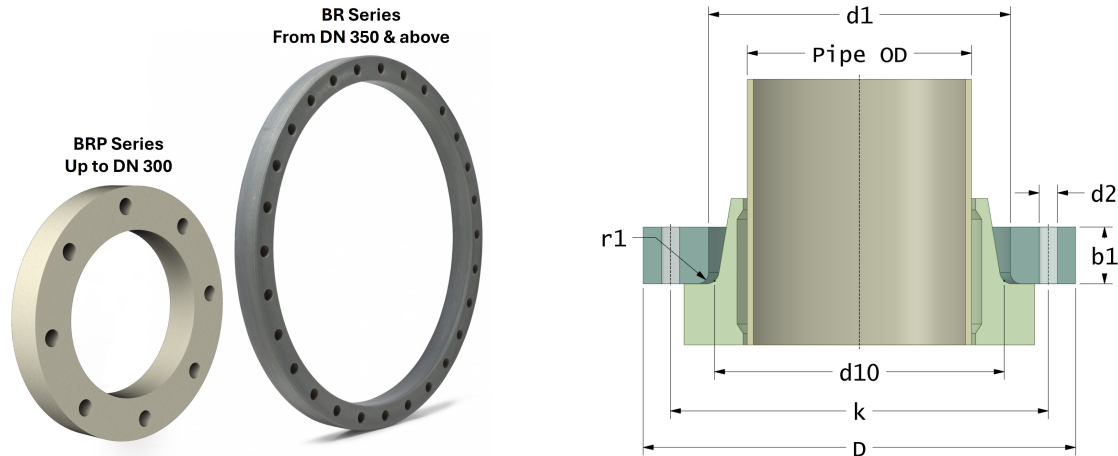


Anneaux de recouvrement FRP

Adapté pour bride à collerette PRV Rotec

Drilling Standard: AS 2129 Table D



#	DN (mm)	Pmax (bar)	D (mm)	d1 (mm)	d10 (mm)	r1 (mm)	k (mm)	Holes (no.)	d2 (mm)	b1 (mm)	Resin Type	Product Color	Article Number
1	350	10	540	404	400	5	470	12	26	38	Vinylester	Grey	BR-350-404-10/AS-D
2	350	16	540	404	400	5	470	12	26	52	Vinylester	Grey	BR-350-404-16/AS-D
3	400	10	600	454	450	6	521	12	26	40	Vinylester	Grey	BR-400-454-10/AS-D
4	400	16	600	454	450	6	521	12	26	56	Vinylester	Grey	BR-400-454-16/AS-D
5	450	10	644	506	502	6	584	12	26	42	Vinylester	Grey	BR-450-506-10/AS-D
6	450	16	644	506	502	6	584	12	26	60	Vinylester	Grey	BR-450-506-16/AS-D
7	500	3	720	558	554	6	641	16	26	32	Vinylester	Grey	BR-500-558-03/AS-D
8	500	6	720	558	554	6	641	16	26	34	Vinylester	Grey	BR-500-558-06/AS-D
9	500	10	720	558	554	6	641	16	26	48	Vinylester	Grey	BR-500-558-10/AS-D
10	500	16	720	558	554	6	641	16	26	66	Vinylester	Grey	BR-500-558-16/AS-D
11	500	20	720	568	564	6	641	16	26	72	Vinylester	Grey	BR-500-568-20/AS-D
12	600	3	844	664	660	8	756	16	30	34	Vinylester	Grey	BR-600-664-03/AS-D
13	600	10	844	664	660	8	756	16	30	54	Vinylester	Grey	BR-600-664-10/AS-D
14	600	16	844	664	660	8	756	16	30	72	Vinylester	Grey	BR-600-664-16/AS-D
15	630	10	844	668	650	8	756	16	30	-	Vinylester	Grey	BR-630-668-10/AS-D
16	630	16	844	668	650	8	756	16	30	-	Vinylester	Grey	BR-630-668-16/AS-D
17	700	3	910	758	754	8	845	20	30	36	Vinylester	Grey	BR-700-758-03/AS-D
18	700	6	910	758	754	8	845	20	30	42	Vinylester	Grey	BR-700-758-06/AS16
19	700	10	910	758	754	8	845	20	30	60	Vinylester	Grey	BR-700-758-10/AS-D

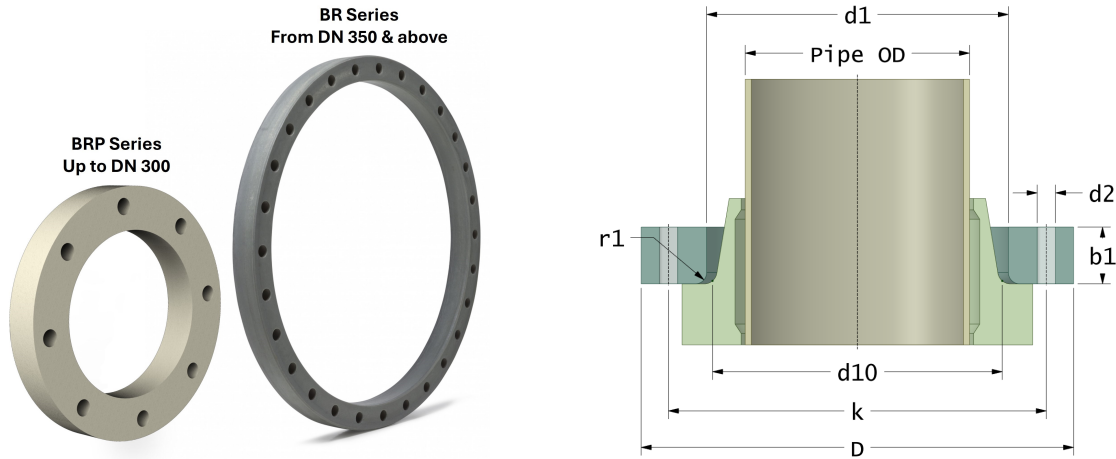
Disclaimer

Whilst every care is taken to ensure that the information on this website is complete and accurate, the Rotec Composite Group BV cannot accept responsibility for any omissions or inaccuracies or for any consequences arising therefrom. By using this website, the user accepts the terms of this disclaimer.

Anneaux de recouvrement FRP

Adapté pour bride à collerette PRV Rotec

Drilling Standard: AS 2129 Table D



#	DN (mm)	Pmax (bar)	D (mm)	d1 (mm)	d10 (mm)	r1 (mm)	k (mm)	Holes (no.)	d2 (mm)	b1 (mm)	Resin Type	Product Color	Article Number
20	700	16	910	758	754	8	845	20	30	78	Vinylester	Grey	BR-700-758-16/AS-D
21	800	3	1085	864	860	9	984	20	36	38	Vinylester	Grey	BR-800-864-03/AS-D
22	800	6	1085	864	860	9	984	20	36	46	Vinylester	Grey	BR-800-864-06/AS16
23	800	10	1085	864	860	9	984	20	36	66	Vinylester	Grey	BR-800-864-10/AS-D
24	800	16	1085	864	860	9	984	20	36	84	Vinylester	Grey	BR-800-864-16/AS-D
25	900	3	1190	974	970	9	1092	24	36	42	Vinylester	Grey	BR-900-974-03/AS-D
26	900	6	1190	974	970	9	1092	24	36	54	Vinylester	Grey	BR-900-974-06/AS-D
27	900	10	1190	974	970	9	1092	24	36	76	Vinylester	Grey	BR-900-974-10/AS-D
28	900	16	1190	974	970	9	1092	24	36	94	Vinylester	Grey	BR-900-974-16/AS-D
29	1000	3	1265	1069	1065	11	1175	24	36	46	Vinylester	Grey	BR-1000-1064-03/AS-D
30	1000	6	1265	1069	1065	11	1175	24	36	62	Vinylester	Grey	BR-1000-1064-06/AS-D
31	1000	10	1265	1069	1065	11	1175	24	36	86	Vinylester	Grey	BR-1000-1064-10/AS-D
32	1000	16	1265	1069	1065	11	1175	24	36	104	Vinylester	Grey	BR-1000-1064-16/AS-D
33	1200	3	1540	1278	1272	10	1410	32	36	50	Vinylester	Grey	BR-1200-1278-03/AS-D
34	1200	6	1540	1278	1272	10	1410	32	36	70	Vinylester	Grey	BR-1200-1278-06/AS-D
35	1200	10	1540	1278	1272	10	1410	32	36	96	Vinylester	Grey	BR-1200-1278-10/AS-D
36	1200	16	1540	1278	1272	10	1410	32	36	114	Vinylester	Grey	BR-1200-1278-16/AS-D
37	1400	3	1700	1482	1475	10	1615	36	36	54	Vinylester	Grey	BR-1400-1482-03/AS-D
38	1400	6	1700	1482	1475	10	1615	36	36	78	Vinylester	Grey	BR-1400-1482/AS-D

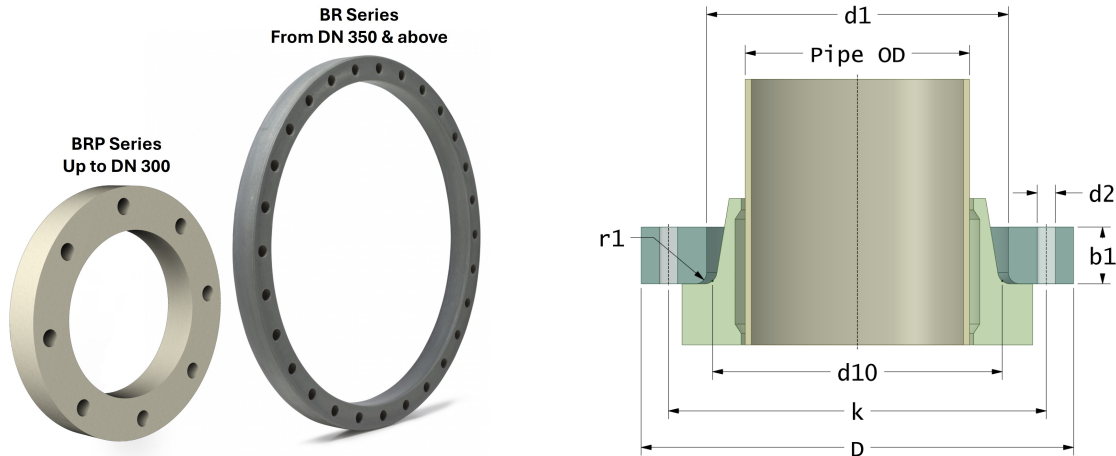
Disclaimer

Whilst every care is taken to ensure that the information on this website is complete and accurate, the Rotec Composite Group BV cannot accept responsibility for any omissions or inaccuracies or for any consequences arising therefrom. By using this website, the user accepts the terms of this disclaimer.

Anneaux de recouvrement FRP

Adapté pour bride à collerette PRV Rotec

Drilling Standard: AS 2129 Table D



#	DN (mm)	Pmax (bar)	D (mm)	d1 (mm)	d10 (mm)	r1 (mm)	k (mm)	Holes (no.)	d2 (mm)	b1 (mm)	Resin Type	Product Color	Article Number
39	1400	10	1700	1482	1475	10	1615	36	36	106	Vinylester	Grey	BR-1400-1482-10/AS-D
40	1400	16	1700	1482	1475	10	1615	36	36	124	Vinylester	Grey	BR-1400-1482/AS-D
41	1600	3	1950	1694	1686	12	1825	40	39	58	Vinylester	Grey	BR-1600-1694-03/AS16
42	1600	6	1950	1694	1686	12	1825	40	39	86	Vinylester	Grey	BR-1600-1694-06/AS16
43	1600	10	1950	1694	1686	12	1825	40	39	116	Vinylester	Grey	BR-1600-1694-10/AS16
44	1600	16	1950	1694	1686	12	1825	40	39	134	Vinylester	Grey	BR-1600-1694-16/AS16
45	1800	3	2150	1897	1888	12	2019	44	42	62	Vinylester	Grey	BR-1800-1897-03/AS-D
46	1800	6	2150	1897	1888	12	2019	44	42	94	Vinylester	Grey	BR-1800-1897-06/AS-D
47	1800	10	2150	1897	1888	12	2019	44	42	126	Vinylester	Grey	BR-1800-1897-10/AS-D
48	2000	3	2360	2103	2093	12	2250	44	42	64	Vinylester	Grey	BR-2000-2103-03/AS16
49	2000	6	2360	2103	2093	12	2250	44	42	97	Vinylester	Grey	BR-2000-2103-06/AS16
50	2000	10	2360	2103	2093	12	2250	44	42	130	Vinylester	Grey	BR-2000-2103-10/AS16
51	2200	3	2580	2312	2301	12	2460	44	48	66	Vinylester	Grey	BR-2200-2338-03/AS-D
52	2200	6	2580	2312	2301	12	2460	44	48	100	Vinylester	Grey	BR-2200-2338-06/AS-D
53	2200	10	2580	2312	2301	12	2460	44	48	134	Vinylester	Grey	BR-2200-2312-10/AS16
54	2400	3	2810	2520	2508	13	2673	52	48	68	Vinylester	Grey	BR-2400-2548-03/AS-D
55	2400	6	2810	2520	2508	13	2673	52	48	103	Vinylester	Grey	BR-2400-2548-06/AS-D
56	2400	10	2810	2520	2508	13	2673	52	48	138	Vinylester	Grey	BR-2400-2548-10/AS-D

Disclaimer

Whilst every care is taken to ensure that the information on this website is complete and accurate, the Rotec Composite Group BV cannot accept responsibility for any omissions or inaccuracies or for any consequences arising therefrom. By using this website, the user accepts the terms of this disclaimer.