

Rotec Anneaux de recouvrement FRP

Pour les souches selon DIN 16966-T6

Drilling Standard: EN1092 PN10



#	DN (mm)	Pmax (bar)	D (mm)	d1 (mm)	r1 (mm)	b1 (mm)	Holes (no.)	d2 (mm)	k (mm)	Article Number
1	25	16	116	51	3	15	4	14	85	BRP-25-51-16/16
2	32	16	140	51	3	16	4	18	100	BRP-32-51-16/16
3	32	16	140	59	3	16	4	18	100	BRP-32-59-16/16
4	40	16	154	69	3	18	4	18	110	BRP-40-69-16/16
5	50	16	164	83	4	18	4	18	125	BRP-50-83-16/16
6	65	16	184	96	4	20	4	18	145	BRP-65-96-16/16
7	80	10	200	112	4	23	8	18	160	BRP-80-112-10/16
8	100	10	228	112	5	25	8	18	180	BRP-100-112-10/16
9	100	10	228	134	5	25	8	18	180	BRP-100-134-10/16
10	125	10	254	134	5	28	8	18	210	BRP-125-134-10/16
11	125	10	254	161	5	28	8	18	210	BRP-125-161-10/16
12	150	10	284	167	5	34	8	22	240	BRP-150-167-10/16
13	200	6	342	238	6	35	8	22	295	BRP-200-238-06/10
14	250	6	405	294	6	35	12	22	350	BRP-250-294-06/10
15	300	6	458	344	6	42	12	22	400	BRP-300-344-06/10
16	350	4	520	388	7	38	16	22	460	BR-350-388-04/10

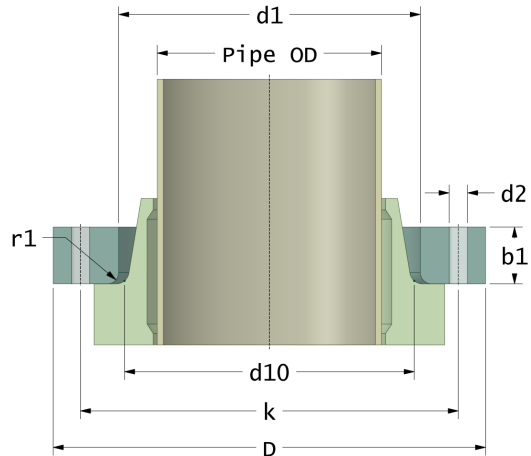
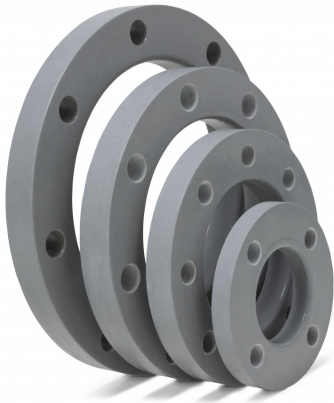
Disclaimer

Whilst every care is taken to ensure that the information on this website is complete and accurate, the Rotec Composite Group BV cannot accept responsibility for any omissions or inaccuracies or for any consequences arising therefrom. By using this website, the user accepts the terms of this disclaimer.

Rotec Anneaux de recouvrement FRP

Pour les souches selon DIN 16966-T6

Drilling Standard: EN1092 PN10



#	DN (mm)	Pmax (bar)	D (mm)	d1 (mm)	r1 (mm)	b1 (mm)	Holes (no.)	d2 (mm)	k (mm)	Article Number
17	400	4	565	442	7	42	16	26	515	BR-400-442-04/10
18	500	4	670	545	7	47	20	26	620	BR-500-545- 04/10
19	600	3	780	650	8	36	20	30	725	BR-600-650-03/10

Disclaimer

Whilst every care is taken to ensure that the information on this website is complete and accurate, the Rotec Composite Group BV cannot accept responsibility for any omissions or inaccuracies or for any consequences arising therefrom. By using this website, the user accepts the terms of this disclaimer.