

Rotec Anneaux de recouvrement FRP

Pour les souches selon DIN 16966-T6

Drilling Standard: ANSI B16.5 Class 150



#	DN (mm)	Pmax (bar)	D (mm)	d1 (mm)	r1 (mm)	b1 (mm)	Holes (no.)	d2 (mm)	k (mm)	Article Number
1	25	16	116	51	3	15	4	16	79	BRP-25-51-16/150
2	32	16	116	51	3	16	4	16	89	BRP-32-51-16/150
3	32	16	116	59	3	16	4	16	89	BRP-32-59-16/150
4	40	16	140	59	3	16	4	16	98	BRP-40-59-16/150
5	40	16	140	69	3	16	4	16	98	BRP-40-69-16/150
6	50	16	154	83	4	18	4	19	121	BRP-50-83-16/150
7	65	16	184	96	4	20	4	19	140	BRP-65-96-16/150
8	80	10	200	112	4	23	4	19	152	BRP-80-112-10/150
9	100	10	228	134	5	25	8	19	190	BRP-100-134-10/150
10	125	10	254	161	5	28	8	22	216	BRP-125-161-10/150
11	150	10	284	189	5	34	8	22	241	BRP-150-189-10/150
12	200	6	342	238	6	35	8	22	298	BRP-200-238-06/150
13	250	6	405	294	6	35	12	26	362	BRP-250-294-06/150
14	300	6	485	344	6	42	12	26	432	BRP-300-344-06/150
15	350	6	540	388	7	38	12	29	476	BR-350-388-06/150
16	400	6	600	442	7	42	16	29	540	BR-400-442-06/150

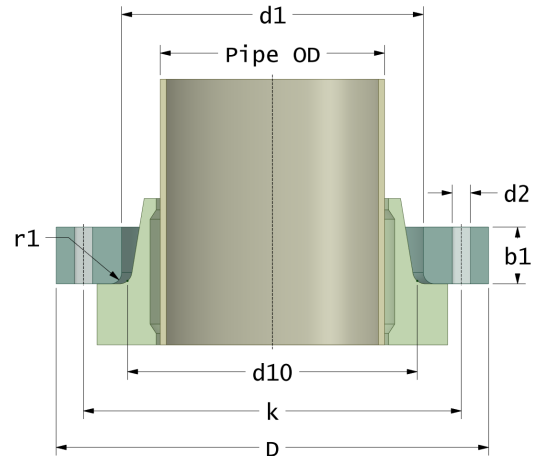
Disclaimer

Whilst every care is taken to ensure that the information on this website is complete and accurate, the Rotec Composite Group BV cannot accept responsibility for any omissions or inaccuracies or for any consequences arising therefrom. By using this website, the user accepts the terms of this disclaimer.

Rotec Anneaux de recouvrement FRP

Pour les souches selon DIN 16966-T6

Drilling Standard: ANSI B16.5 Class 150



#	DN (mm)	Pmax (bar)	D (mm)	d1 (mm)	r1 (mm)	b1 (mm)	Holes (no.)	d2 (mm)	k (mm)	Article Number
17	500	6	720	545	7	47	20	32	635	BR-500-545-06/150
18	600	3	844	650	8	51	20	32	749	BR-600-650-03/150

Disclaimer

Whilst every care is taken to ensure that the information on this website is complete and accurate, the Rotec Composite Group BV cannot accept responsibility for any omissions or inaccuracies or for any consequences arising therefrom. By using this website, the user accepts the terms of this disclaimer.