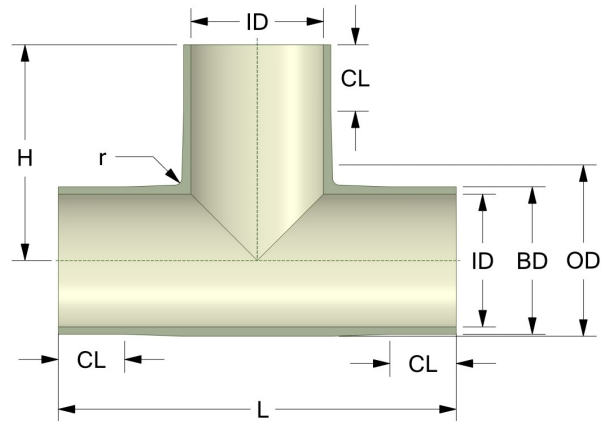
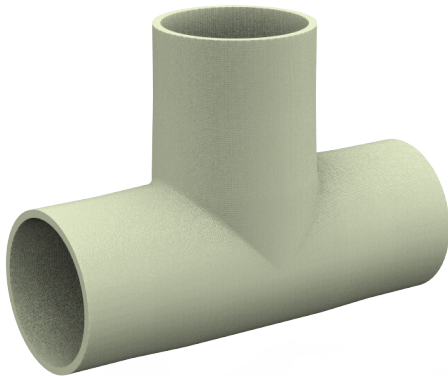


Rotec Tés égaux

Derakane 470

Resin Type: Derakane 470



#	DN (mm)	Pmax (bar)	ID (mm)	OD (mm)	BD (mm)	r (mm)	CL (mm)	H (mm)	L (mm)	Article Number
1	25	16	25	38	35	6	0	110	220	TMC-25-16/PE
2	32	16	32	46	42	6	0	130	260	TMC-32-16/PE
3	40	16	40	56	50	6	0	150	300	TMC-40-16/PE
4	50	16	50	68	60	6	0	180	360	TMC-50-16/PE
5	65	16	65	87	77	6	0	140	280	TMC-65-16/PE
6	80	16	80	102	92	6	0	165	330	TMC-80-16/PE
7	100	16	100	124	117	8	80	205	410	TMC-100-16/PE
8	125	16	125	150	138	10	80	245	490	TMC-125-16/PE
9	150	16	150	178	166	10	100	285	570	TMC-150-16/PE
10	200	10	200	228	222	10	100	325	600	TMC-200-10/PE
11	250	10	250	284	274	10	120	330	660	TMC-250-10/PE
12	300	10	300	338	326	10	120	375	750	TMC-300-10/PE

Disclaimer

Whilst every care is taken to ensure that the information on this website is complete and accurate, the Rotec Composite Group BV cannot accept responsibility for any omissions or inaccuracies or for any consequences arising therefrom. By using this website, the user accepts the terms of this disclaimer.