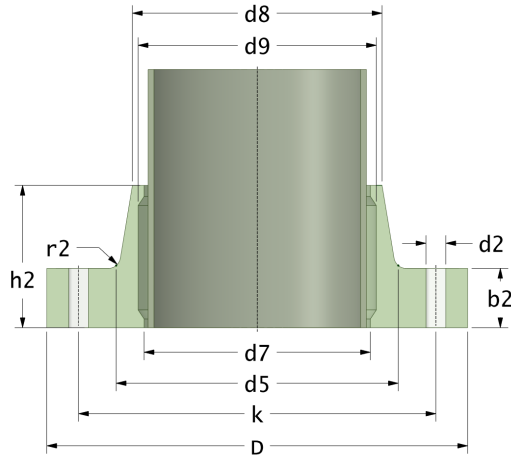


## Bridas fijas

### Cara plana RTM para tubería GRP

Drilling Standard: JIS B2220 5K



#	DN (mm)	Pmax (bar)	D (mm)	d7 (mm)	d9 (mm)	d8 (mm)	d5 (mm)	r2 (mm)	k (mm)	Holes (no.)	d2 (mm)	h2 (mm)	b2 (mm)	Article Number
1	150	6	265	167	171	178	186	6	230	8	19	70	23	FF-150-06/5K
2	200	6	320	221	225	230	240	6	280	8	23	81	26	FF-200-06/5K
3	250	6	385	273	277	288	294	6	345	12	23	89	29	FF-250-06/5K
4	300	6	440	326	330	338	348	6	390	12	23	97	32	FF-300-06/5K
5	350	6	510	378	382	390	402	8	435	12	25	105	35	FF-350-06/5K
6	400	6	570	429	433	441	455	8	495	16	25	113	38	FF-400-06/5K
7	450	6	620	480	484	495	506	8	555	16	25	121	41	FF-450-06/5K
8	500	3	674	532	536	547	560	8	605	20	25	116	31	FF-500-03/5K
9	500	6	674	532	536	547	560	8	605	20	25	129	44	FF-500-06/5K
10	600	3	784	618	622	637	652	10	715	20	27	129	34	FF-600-03/5K
11	600	6	784	618	622	637	652	10	715	20	27	145	50	FF-600-06/5K
12	700	3	875	720	724	733	758	11	820	24	27	142	37	FF-700-03/5K
13	700	6	875	720	724	733	758	11	820	24	27	161	56	FF-700-06/5K
14	800	3	995	822	826	835	854	14	930	24	33	157	40	FF-800-03/5K
15	800	6	995	822	826	835	854	14	930	24	33	168	51	FF-800-06/5K
16	900	3	1090	924	928	939	958	14	1030	24	33	168	43	FF-900-03/5K

#### Disclaimer

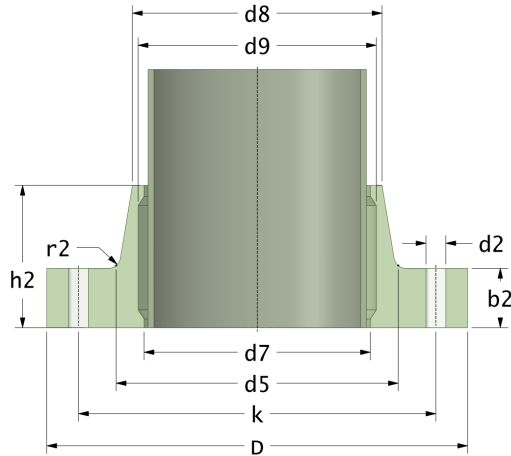
Whilst every care is taken to ensure that the information on this website is complete and accurate, the Rotec Composite Group BV cannot accept responsibility for any omissions or inaccuracies or for any consequences arising therefrom. By using this website, the user accepts the terms of this disclaimer.

17-11-2022

## Bridas fijas

### Cara plana RTM para tubería GRP

Drilling Standard: JIS B2220 5K



#	DN (mm)	Pmax (bar)	D (mm)	d7 (mm)	d9 (mm)	d8 (mm)	d5 (mm)	r2 (mm)	k (mm)	Holes (no.)	d2 (mm)	h2 (mm)	b2 (mm)	Article Number
17	900	6	1090	924	928	939	958	14	1030	24	33	181	56	FF-900-06/5K
18	1000	3	1200	1026	1030	1044	1065	14	1130	28	33	186	46	FF-1000-03/5K
19	1000	6	1200	1026	1030	1044	1065	14	1130	28	33	200	60	FF-1000-06/5K
20	1100	3	1355	1102	1106	1118	1140	14	1240	28	33	159	49	FF-1101-03/5K
21	1100	3	1355	1128	1132	1146	1165	14	1240	28	33	159	49	FF-1102-03/5K
22	1100	6	1355	1102	1106	1118	1140	14	1240	28	33	175	65	FF-1101-06/5K
23	1100	6	1355	1128	1132	1146	1165	14	1240	28	33	175	65	FF-1102-06/5K
24	1200	3	1430	1231	1235	1250	1266	14	1350	32	33	172	52	FF-1200-03/5K
25	1200	6	1430	1231	1235	1250	1266	14	1350	32	33	189	69	FF-1200-06/5K
26	1350	3	1640	1384	1388	1402	1425	14	1505	32	33	197	57	FF-1350-03/5K
27	1350	6	1640	1384	1388	1402	1425	14	1505	32	33	216	76	FF-1350-06/5K
28	1500	3	1740	1537	1541	1558	1580	14	1660	36	33	221	61	FF-1500-03/5K
29	1500	6	1740	1537	1541	1558	1580	14	1660	36	33	243	83	FF-1500-06/5K

#### Disclaimer

Whilst every care is taken to ensure that the information on this website is complete and accurate, the Rotec Composite Group BV cannot accept responsibility for any omissions or inaccuracies or for any consequences arising therefrom. By using this website, the user accepts the terms of this disclaimer.

17-11-2022