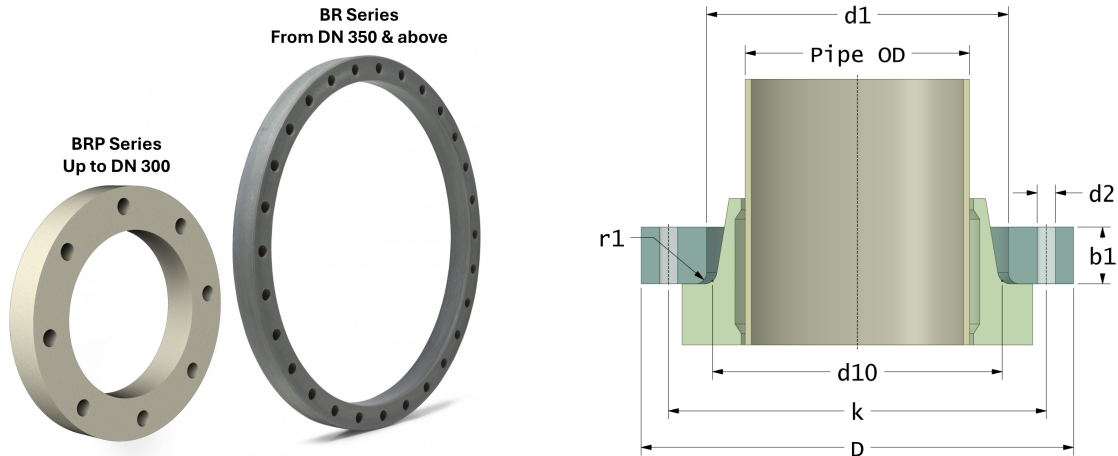


## Anillos de recubrimiento FRP

Adecuado para brida de collar GRP Rotec

Drilling Standard: EN1092 PN6



#	DN (mm)	Pmax (bar)	D (mm)	d1 (mm)	d10 (mm)	r1 (mm)	k (mm)	Holes (no.)	d2 (mm)	b1 (mm)	Article Number
1	2200	3	2500	2300	2289	12	2390	52	42	66	BR-2200-2300-03/6
2	2200	6	2500	2300	2289	12	2390	52	42	100	BR-2200-2300-06/6

### Disclaimer

Whilst every care is taken to ensure that the information on this website is complete and accurate, the Rotec Composite Group BV cannot accept responsibility for any omissions or inaccuracies or for any consequences arising therefrom. By using this website, the user accepts the terms of this disclaimer.