

## Rotec Anillos de recubrimiento FRP

Anillo de respaldo adecuado para brida de PE y PP

Drilling Standard: EN1092 PN16



| #  | DN<br>(mm) | Pmax<br>(bar) | Pipe OD<br>(mm) | D<br>(mm) | d1<br>(mm) | d10<br>(mm) | r1<br>(mm) | k<br>(mm) | Holes<br>(no.) | d2<br>(mm) | b1<br>(mm) | Article Number   |
|----|------------|---------------|-----------------|-----------|------------|-------------|------------|-----------|----------------|------------|------------|------------------|
| 1  | 100        | 10            | 90              | 228       | 108        | 105         | 4          | 180       | 8              | 18         | 25         | BR-100-108-10/16 |
| 2  | 100        | 10            | 110             | 228       | 124        | 122         | 4          | 180       | 8              | 18         | 25         | BR-100-124-10/16 |
| 3  | 100        | 10            | 110             | 228       | 128        | 125         | 4          | 180       | 8              | 18         | 25         | BR-100-128-10/16 |
| 4  | 100        | 10            | 125             | 228       | 134        | 132         | 4          | 180       | 8              | 18         | 25         | BR-100-134-10/16 |
| 5  | 100        | 16            | 90              | 228       | 108        | 105         | 4          | 180       | 8              | 18         | 30         | BR-100-108-16/16 |
| 6  | 100        | 16            | 110             | 228       | 124        | 122         | 4          | 180       | 8              | 18         | 30         | BR-100-124-16/16 |
| 7  | 100        | 16            | 110             | 228       | 128        | 125         | 4          | 180       | 8              | 18         | 30         | BR-100-128-16/16 |
| 8  | 100        | 16            | 125             | 228       | 134        | 132         | 4          | 180       | 8              | 18         | 30         | BR-100-134-16/16 |
| 9  | 125        | 10            | 110             | 254       | 124        | 122         | 5          | 210       | 8              | 18         | 28         | BR-125-124-10/16 |
| 10 | 125        | 10            | 125             | 254       | 134        | 132         | 5          | 210       | 8              | 18         | 28         | BR-125-134-10/16 |
| 11 | 125        | 10            | 140             | 254       | 158        | 155         | 5          | 210       | 8              | 18         | 28         | BR-125-158-10/16 |
| 12 | 125        | 16            | 110             | 254       | 124        | 122         | 5          | 210       | 8              | 18         | 34         | BR-125-124-16/16 |
| 13 | 125        | 16            | 125             | 254       | 134        | 132         | 5          | 210       | 8              | 18         | 34         | BR-125-134-16/16 |
| 14 | 125        | 16            | 140             | 254       | 158        | 155         | 5          | 210       | 8              | 18         | 34         | BR-125-158-16/16 |
| 15 | 150        | 10            | 140             | 284       | 158        | 155         | 5          | 240       | 8              | 22         | 30         | BR-150-158-10/16 |
| 16 | 150        | 10            | 160             | 284       | 178        | 175         | 5          | 240       | 8              | 22         | 30         | BR-150-178-10/16 |

### Disclaimer

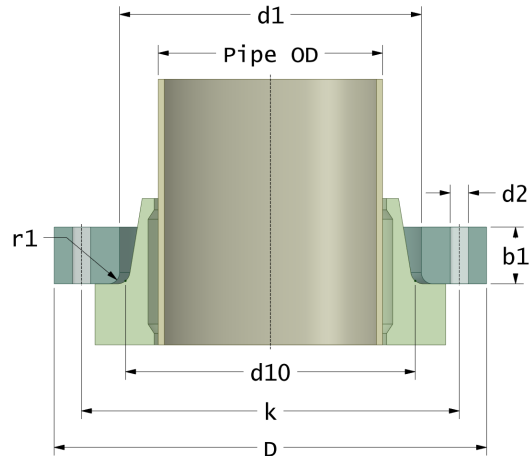
Whilst every care is taken to ensure that the information on this website is complete and accurate, the Rotec Composite Group BV cannot accept responsibility for any omissions or inaccuracies or for any consequences arising therefrom. By using this website, the user accepts the terms of this disclaimer.

23-08-2024

## Rotec Anillos de recubrimiento FRP

Anillo de respaldo adecuado para brida de PE y PP

Drilling Standard: EN1092 PN16



| #  | DN<br>(mm) | Pmax<br>(bar) | Pipe OD<br>(mm) | D<br>(mm) | d1<br>(mm) | d10<br>(mm) | r1<br>(mm) | k<br>(mm) | Holes<br>(no.) | d2<br>(mm) | b1<br>(mm) | Article Number   |
|----|------------|---------------|-----------------|-----------|------------|-------------|------------|-----------|----------------|------------|------------|------------------|
| 17 | 150        | 10            | 180             | 285       | 188        | 185         | 5          | 240       | 8              | 22         | 30         | BR-150-188-10/16 |
| 18 | 150        | 16            | 140             | 284       | 158        | 155         | 5          | 240       | 8              | 22         | 38         | BR-150-158-16/16 |
| 19 | 150        | 16            | 160             | 284       | 178        | 175         | 5          | 240       | 8              | 22         | 38         | BR-150-178-16/16 |
| 20 | 150        | 16            | 180             | 285       | 188        | 185         | 5          | 240       | 8              | 22         | 38         | BR-150-188-16/16 |
| 21 | 200        | 10            | 200             | 350       | 235        | 232         | 5          | 295       | 12             | 22         | 32         | BR-200-235-10/16 |
| 22 | 200        | 10            | 225             | 350       | 238        | 237         | 5          | 295       | 12             | 22         | 32         | BR-200-238-10/16 |
| 23 | 200        | 16            | 200             | 350       | 235        | 232         | 5          | 295       | 12             | 22         | 40         | BR-200-235-16/16 |
| 24 | 200        | 16            | 225             | 350       | 238        | 237         | 5          | 295       | 12             | 22         | 40         | BR-200-238-16/16 |
| 25 | 250        | 10            | 250             | 405       | 288        | 285         | 5          | 355       | 12             | 26         | 35         | BR-250-288-10/16 |
| 26 | 250        | 10            | 280             | 410       | 294        | 293         | 5          | 355       | 12             | 26         | 35         | BR-250-294-10/16 |
| 27 | 250        | 16            | 250             | 405       | 288        | 285         | 5          | 355       | 12             | 26         | 45         | BR-250-288-16/16 |
| 28 | 250        | 16            | 280             | 410       | 294        | 293         | 5          | 355       | 12             | 26         | 45         | BR-250-294-16/16 |
| 29 | 300        | 10            | 315             | 460       | 338        | 335         | 5          | 410       | 12             | 26         | 39         | BR-300-338-10/16 |
| 30 | 300        | 16            | 315             | 460       | 338        | 335         | 5          | 410       | 12             | 26         | 46         | BR-300-338-16/16 |
| 31 | 350        | 10            | 355             | 540       | 358        | 355         | 6          | 470       | 16             | 26         | 42         | BR-350-358-10/16 |
| 32 | 350        | 10            | 355             | 540       | 376        | 373         | 6          | 470       | 16             | 26         | 42         | BR-350-376-10/16 |
| 33 | 350        | 16            | 355             | 540       | 358        | 355         | 6          | 470       | 16             | 26         | 52         | BR-350-358-16/16 |

### Disclaimer

Whilst every care is taken to ensure that the information on this website is complete and accurate, the Rotec Composite Group BV cannot accept responsibility for any omissions or inaccuracies or for any consequences arising therefrom. By using this website, the user accepts the terms of this disclaimer.

23-08-2024

## Rotec Anillos de recubrimiento FRP

Anillo de respaldo adecuado para brida de PE y PP

Drilling Standard: EN1092 PN16



| #  | DN<br>(mm) | Pmax<br>(bar) | Pipe OD<br>(mm) | D<br>(mm) | d1<br>(mm) | d10<br>(mm) | r1<br>(mm) | k<br>(mm) | Holes<br>(no.) | d2<br>(mm) | b1<br>(mm) | Article Number   |
|----|------------|---------------|-----------------|-----------|------------|-------------|------------|-----------|----------------|------------|------------|------------------|
| 34 | 350        | 16            | 355             | 540       | 376        | 373         | 6          | 470       | 16             | 26         | 52         | BR-350-376-16/16 |
| 35 | 400        | 10            | 400             | 600       | 404        | 400         | 6          | 525       | 16             | 30         | 44         | BR-400-404-10/16 |
| 36 | 400        | 10            | 400             | 600       | 430        | 427         | 6          | 525       | 16             | 30         | 44         | BR-400-430-10/16 |
| 37 | 400        | 16            | 400             | 600       | 404        | 400         | 6          | 525       | 16             | 30         | 54         | BR-400-404-16/16 |
| 38 | 400        | 16            | 400             | 600       | 430        | 427         | 6          | 525       | 16             | 30         | 54         | BR-400-430-16/16 |
| 39 | 450        | 10            | 450             | 644       | 454        | 450         | 6          | 585       | 20             | 30         | 54         | BR-450-454-10/16 |
| 40 | 450        | 10            | 450             | 644       | 465        | 460         | 6          | 585       | 20             | 30         | 54         | BR-450-465-10/16 |
| 41 | 450        | 10            | 450             | 644       | 517        | 514         | 6          | 585       | 20             | 30         | 54         | BR-450-517-10/16 |
| 42 | 450        | 16            | 450             | 644       | 454        | 450         | 6          | 585       | 20             | 30         | 66         | BR-450-454-16/16 |
| 43 | 450        | 16            | 450             | 644       | 465        | 460         | 6          | 585       | 20             | 30         | 66         | BR-450-465-16/16 |
| 44 | 450        | 16            | 450             | 644       | 517        | 514         | 6          | 585       | 20             | 30         | 66         | BR-450-517-16/16 |
| 45 | 500        | 10            | 500             | 720       | 504        | 500         | 6          | 650       | 20             | 33         | 57         | BR-500-504-10/16 |
| 46 | 500        | 10            | 500             | 720       | 533        | 530         | 6          | 650       | 20             | 33         | 57         | BR-500-533-10/16 |
| 47 | 500        | 16            | 450             | 720       | 517        | 514         | 6          | 650       | 20             | 33         | 72         | BR-500-517-16/16 |
| 48 | 500        | 16            | 500             | 720       | 504        | 500         | 6          | 650       | 20             | 33         | 72         | BR-500-504-16/16 |
| 49 | 500        | 16            | 500             | 720       | 533        | 530         | 6          | 650       | 20             | 33         | 72         | BR-500-533-16/16 |
| 50 | 600        | 10            | 560             | 844       | 618        | 615         | 7          | 770       | 20             | 36         | 62         | BR-600-618-10/16 |

### Disclaimer

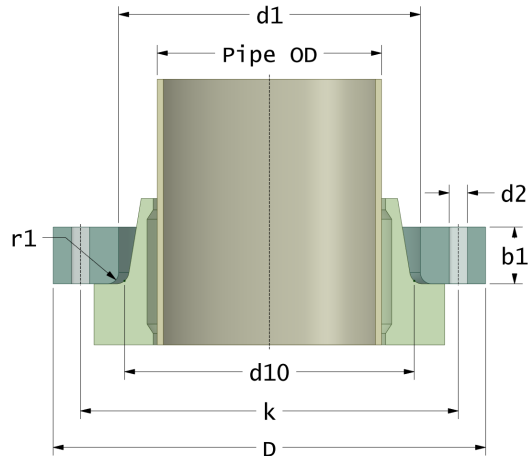
Whilst every care is taken to ensure that the information on this website is complete and accurate, the Rotec Composite Group BV cannot accept responsibility for any omissions or inaccuracies or for any consequences arising therefrom. By using this website, the user accepts the terms of this disclaimer.

23-08-2024

## Rotec Anillos de recubrimiento FRP

Anillo de respaldo adecuado para brida de PE y PP

Drilling Standard: EN1092 PN16



| #  | DN<br>(mm) | Pmax<br>(bar) | Pipe OD<br>(mm) | D<br>(mm) | d1<br>(mm) | d10<br>(mm) | r1<br>(mm) | k<br>(mm) | Holes<br>(no.) | d2<br>(mm) | b1<br>(mm) | Article Number     |
|----|------------|---------------|-----------------|-----------|------------|-------------|------------|-----------|----------------|------------|------------|--------------------|
| 51 | 600        | 10            | 600             | 844       | 604        | 600         | 7          | 770       | 20             | 36         | 62         | BR-600-604-10/16   |
| 52 | 600        | 10            | 630             | 844       | 648        | 644         | 7          | 770       | 20             | 36         | 62         | BR-600-648-10/16   |
| 53 | 600        | 16            | 560             | 844       | 618        | 615         | 7          | 770       | 20             | 36         | 77         | BR-600-618-16/16   |
| 54 | 600        | 16            | 600             | 844       | 604        | 600         | 7          | 770       | 20             | 36         | 77         | BR-600-604-16/16   |
| 55 | 600        | 16            | 630             | 844       | 648        | 644         | 7          | 770       | 20             | 36         | 77         | BR-600-648-16/16   |
| 56 | 700        | 10            | 710             | 910       | 725        | 710         | 7          | 840       | 24             | 36         | 67         | BR-700-725-10/16   |
| 57 | 700        | 10            | 710             | 910       | 740        | 737         | 7          | 840       | 24             | 36         | 67         | BR-700-740-10/16   |
| 58 | 700        | 16            | 630             | 910       | 645        | 642         | 7          | 840       | 24             | 36         | 82         | BR-700-645-16/16   |
| 59 | 700        | 16            | 710             | 910       | 740        | 737         | 7          | 840       | 24             | 36         | 82         | BR-700-740-16/16   |
| 60 | 800        | 10            | 800             | 1025      | 815        | 800         | 7          | 950       | 24             | 39         | 73         | BR-800-815-10/16   |
| 61 | 800        | 10            | 800             | 1025      | 843        | 840         | 7          | 950       | 24             | 39         | 73         | BR-800-843-10/16   |
| 62 | 800        | 16            | 800             | 1025      | 843        | 840         | 7          | 950       | 24             | 39         | 88         | BR-800-843-16/16   |
| 63 | 900        | 6             | 900             | 1125      | 915        | 900         | 7          | 1050      | 28             | 39         | 62         | BR-900-915-06/16   |
| 64 | 900        | 10            | 900             | 1125      | 915        | 900         | 7          | 1050      | 28             | 39         | 87         | BR-900-915-10/16   |
| 65 | 900        | 10            | 900             | 1125      | 947        | 944         | 7          | 1050      | 28             | 39         | 87         | BR-900-947-10/16   |
| 66 | 900        | 16            | 900             | 1125      | 947        | 944         | 7          | 1050      | 28             | 39         | 110        | BR-900-947-16/16   |
| 67 | 1000       | 10            | 1000            | 1265      | 1015       | 1000        | 7          | 1170      | 28             | 42         | 90         | BR-1000-1015-10/16 |

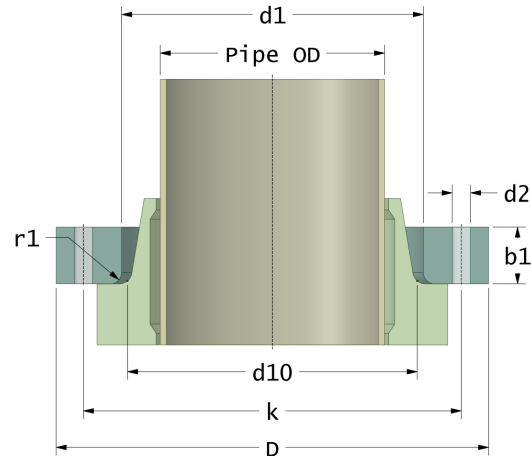
### Disclaimer

Whilst every care is taken to ensure that the information on this website is complete and accurate, the Rotec Composite Group BV cannot accept responsibility for any omissions or inaccuracies or for any consequences arising therefrom. By using this website, the user accepts the terms of this disclaimer.

## Rotec Anillos de recubrimiento FRP

Anillo de respaldo adecuado para brida de PE y PP

Drilling Standard: EN1092 PN16



| #  | DN<br>(mm) | Pmax<br>(bar) | Pipe OD<br>(mm) | D<br>(mm) | d1<br>(mm) | d10<br>(mm) | r1<br>(mm) | k<br>(mm) | Holes<br>(no.) | d2<br>(mm) | b1<br>(mm) | Article Number     |
|----|------------|---------------|-----------------|-----------|------------|-------------|------------|-----------|----------------|------------|------------|--------------------|
| 68 | 1000       | 10            | 1000            | 1265      | 1050       | 1047        | 7          | 1170      | 28             | 42         | 90         | BR-1000-1050-10/16 |
| 69 | 1200       | 10            | 1200            | 1494      | 1215       | 1200        | 8          | 1390      | 32             | 48         | 100        | BR-1200-1215-10/16 |
| 70 | 1200       | 10            | 1200            | 1494      | 1250       | 1245        | 8          | 1390      | 32             | 48         | 100        | BR-1200-1250-10/16 |
| 71 | 1200       | 16            | 1200            | 1494      | 1250       | 1245        | 8          | 1390      | 32             | 48         | 117        | BR-1200-1250-16/16 |

### Disclaimer

Whilst every care is taken to ensure that the information on this website is complete and accurate, the Rotec Composite Group BV cannot accept responsibility for any omissions or inaccuracies or for any consequences arising therefrom. By using this website, the user accepts the terms of this disclaimer.

23-08-2024