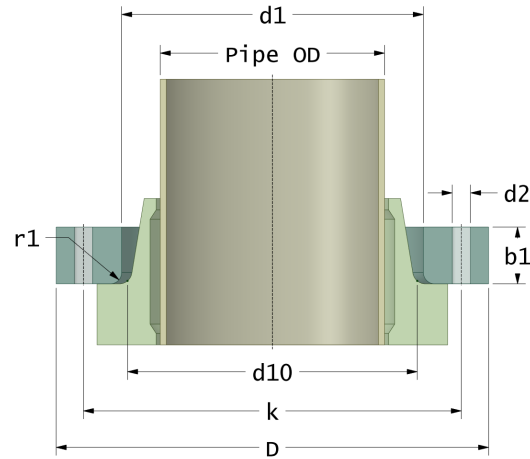


Rotec Anillos de recubrimiento FRP

Anillo de respaldo por prensado en caliente

Drilling Standard: ANSI B16.5 Class 150, Pipe Type: GRP



#	DN (mm)	Pmax (bar)	Pipe OD (mm)	D (mm)	d1 (mm)	d10 (mm)	r1 (mm)	k (mm)	Holes (no.)	d2 (mm)	b1 (mm)	Article Number
1	25	16	32	116	42	40	3	79	4	16	15	BRP-25-42-16/150
2	32	16	40	116	55	54	3	89	4	16	16	BRP-32-55-16/150
3	40	16	50	140	62	61	3	98	4	16	18	BRP-40-62-16/150
4	50	16	63	154	73	72	4	121	4	19	18	BRP-50-73-16/150
5	65	16	75	184	86	85	4	140	4	19	20	BRP-65-86-16/150
6	80	10	90	200	108	107	4	152	4	19	23	BRP-80-108-10/150
7	80	16	90	200	108	107	4	152	4	19	28	BRP-80-108-16/150
8	100	6	125	228	134	133	5	190	8	19	20	BRP-100-134-06/150
9	100	10	125	228	134	133	5	190	8	19	25	BRP-100-134-10/150
10	100	16	125	228	134	133	5	190	8	19	30	BRP-100-134-16/150
11	125	6	140	254	161	160	5	216	8	22	22	BRP-125-161-06/150
12	125	10	140	254	161	160	5	216	8	22	28	BRP-125-161-10/150
13	125	16	140	254	161	160	5	216	8	22	34	BRP-125-161-16/150
14	150	6	180	284	189	188	5	241	8	22	25	BRP-150-189-06/150
15	150	10	180	284	189	188	5	241	8	22	34	BRP-150-189-10/150
16	150	16	180	284	189	188	5	241	8	22	40	BRP-150-189-16/150

Disclaimer

Whilst every care is taken to ensure that the information on this website is complete and accurate, the Rotec Composite Group BV cannot accept responsibility for any omissions or inaccuracies or for any consequences arising therefrom. By using this website, the user accepts the terms of this disclaimer.

Rotec Anillos de recubrimiento FRP

Anillo de respaldo por prensado en caliente

Drilling Standard: ANSI B16.5 Class 150, Pipe Type: GRP



#	DN (mm)	Pmax (bar)	Pipe OD (mm)	D (mm)	d1 (mm)	d10 (mm)	r1 (mm)	k (mm)	Holes (no.)	d2 (mm)	b1 (mm)	Article Number
17	200	6	225	342	238	237	6	298	8	22	30	BRP-200-238-06/150
18	200	10	225	342	238	237	6	298	8	22	38	BRP-200-238-10/150
19	200	16	225	342	238	237	6	298	8	22	48	BRP-200-238-16/150
20	250	6	280	405	294	293	6	362	12	26	32	BRP-250-294-06/150
21	250	10	280	405	294	293	6	362	12	26	42	BRP-250-294-10/150
22	250	16	280	405	294	293	6	362	12	26	54	BRP-250-294-16/150
23	300	6	315	485	344	343	6	432	12	26	38	BRP-300-344-06/150
24	300	10	315	485	344	343	6	432	12	26	52	BRP-300-344-10/150

Disclaimer

Whilst every care is taken to ensure that the information on this website is complete and accurate, the Rotec Composite Group BV cannot accept responsibility for any omissions or inaccuracies or for any consequences arising therefrom. By using this website, the user accepts the terms of this disclaimer.

18-12-2024