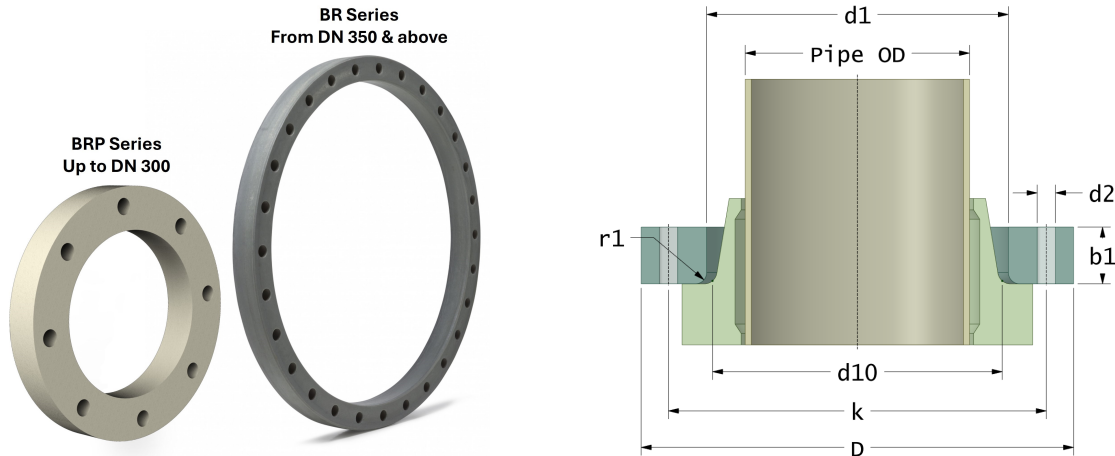


Backing Rings (Loose Flanges)

Type BRP and BR / suitable for GRP Stub Flange (type TSS/TSC & SF Rotec)

Drilling Standard: ANSI B16.47 Class 150



| # | DN (mm) | Pmax (bar) | D (mm) | d1 (mm) | d10 (mm) | r1 (mm) | k (mm) | Holes (no.) | d2 (mm) | b1 (mm) | Resin Type | Product Color | Article Number |
|----|------------|---------------|-----------|------------|-------------|------------|-----------|----------------|------------|------------|------------|---------------|---------------------|
| 1 | 700 | 3 | 950 | 758 | 754 | 8 | 864 | 28 | 35 | 36 | Vinylester | Grey | BR-700-758-03/150 |
| 2 | 700 | 6 | 950 | 758 | 754 | 8 | 864 | 28 | 35 | 42 | Vinylester | Grey | BR-700-758-06/150 |
| 3 | 700 | 10 | 950 | 758 | 754 | 8 | 864 | 28 | 35 | 60 | Vinylester | Grey | BR-700-758-10/150 |
| 4 | 700 | 16 | 950 | 758 | 754 | 8 | 864 | 28 | 35 | 78 | Vinylester | Grey | BR-700-758-16/150 |
| 5 | 800 | 3 | 1085 | 864 | 860 | 9 | 978 | 28 | 41 | 38 | Vinylester | Grey | BR-800-864-03/150 |
| 6 | 800 | 6 | 1085 | 864 | 860 | 9 | 978 | 28 | 41 | 46 | Vinylester | Grey | BR-800-864-06/150 |
| 7 | 800 | 10 | 1085 | 864 | 860 | 9 | 978 | 28 | 41 | 66 | Vinylester | Grey | BR-800-864-10/150 |
| 8 | 800 | 16 | 1085 | 864 | 860 | 9 | 978 | 28 | 41 | 84 | Vinylester | Grey | BR-800-864-16/150 |
| 9 | 900 | 3 | 1190 | 974 | 970 | 9 | 1086 | 32 | 41 | 42 | Vinylester | Grey | BR-900-974-03/150 |
| 10 | 900 | 6 | 1190 | 974 | 970 | 9 | 1086 | 32 | 41 | 54 | Vinylester | Grey | BR-900-974-06/150 |
| 11 | 900 | 10 | 1190 | 974 | 970 | 9 | 1086 | 32 | 41 | 76 | Vinylester | Grey | BR-900-974-10/150 |
| 12 | 900 | 16 | 1190 | 974 | 970 | 9 | 1086 | 32 | 41 | 94 | Vinylester | Grey | BR-900-974-16/150 |
| 13 | 1000 | 3 | 1320 | 1069 | 1065 | 11 | 1200 | 36 | 41 | 46 | Vinylester | Grey | BR-1000-1064-03/150 |
| 14 | 1000 | 6 | 1320 | 1069 | 1065 | 11 | 1200 | 36 | 41 | 62 | Vinylester | Grey | BR-1000-1064-06/150 |
| 15 | 1000 | 10 | 1320 | 1069 | 1065 | 11 | 1200 | 36 | 41 | 86 | Vinylester | Grey | BR-1000-1064-10/150 |
| 16 | 1000 | 16 | 1320 | 1069 | 1065 | 11 | 1200 | 36 | 41 | 104 | Vinylester | Grey | BR-1000-1064-16/150 |
| 17 | 1100 | 3 | 1430 | 1168 | 1158 | 9 | 1314 | 40 | 41 | 60 | Vinylester | Grey | BR-1100-1168-03/150 |
| 18 | 1100 | 3 | 1430 | 1198 | 1188 | 9 | 1314 | 40 | 41 | 60 | Vinylester | Grey | BR-1100-1198-03/150 |
| 19 | 1100 | 6 | 1430 | 1168 | 1158 | 9 | 1314 | 40 | 41 | 84 | Vinylester | Grey | BR-1100-1168-06/150 |

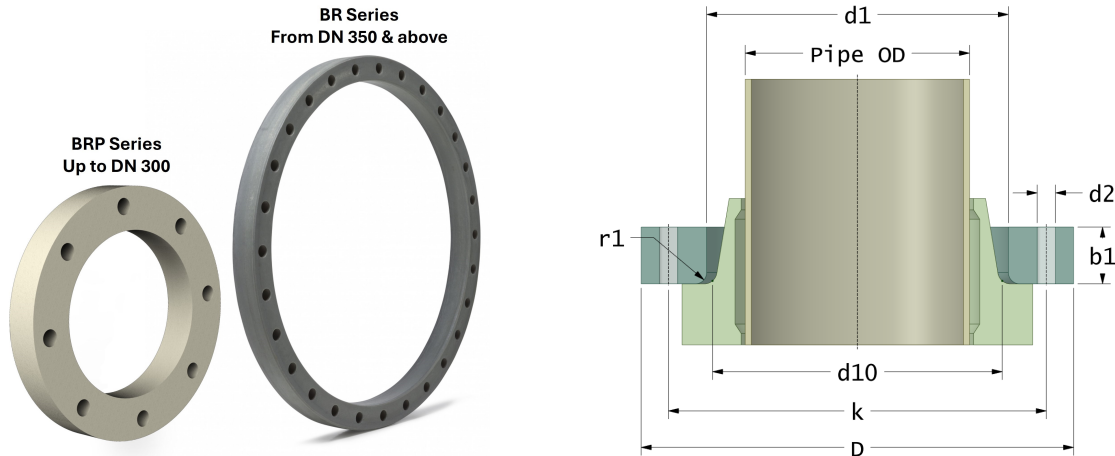
Disclaimer

Whilst every care is taken to ensure that the information on this website is complete and accurate, the Rotec Composite Group BV cannot accept responsibility for any omissions or inaccuracies or for any consequences arising therefrom. By using this website, the user accepts the terms of this disclaimer.

Backing Rings (Loose Flanges)

Type BRP and BR / suitable for GRP Stub Flange (type TSS/TSC & SF Rotec)

Drilling Standard: ANSI B16.47 Class 150



| # | DN (mm) | Pmax (bar) | D (mm) | d1 (mm) | d10 (mm) | r1 (mm) | k (mm) | Holes (no.) | d2 (mm) | b1 (mm) | Resin Type | Product Color | Article Number |
|----|------------|---------------|-----------|------------|-------------|------------|-----------|----------------|------------|------------|------------|---------------|---------------------|
| 20 | 1100 | 6 | 1430 | 1198 | 1188 | 9 | 1314 | 40 | 41 | 84 | Vinylester | Grey | BR-1100-1198-06/150 |
| 21 | 1100 | 10 | 1430 | 1168 | 1158 | 9 | 1314 | 40 | 41 | 109 | Vinylester | Grey | BR-1100-1168-10/150 |
| 22 | 1100 | 10 | 1430 | 1198 | 1188 | 9 | 1314 | 40 | 41 | 117 | Vinylester | Grey | BR-1100-1198-10/150 |
| 23 | 1100 | 16 | 1430 | 1168 | 1158 | 9 | 1314 | 40 | 41 | 137 | Vinylester | Grey | BR-1100-1168-16/150 |
| 24 | 1100 | 16 | 1430 | 1198 | 1188 | 9 | 1314 | 40 | 41 | 140 | Vinylester | Grey | BR-1100-1198-16/150 |
| 25 | 1200 | 3 | 1540 | 1292 | 1286 | 10 | 1422 | 44 | 41 | 50 | Vinylester | Grey | BR-1200-1292-03/150 |
| 26 | 1200 | 6 | 1540 | 1292 | 1286 | 10 | 1422 | 44 | 41 | 70 | Vinylester | Grey | BR-1200-1292-06/150 |
| 27 | 1200 | 10 | 1540 | 1292 | 1286 | 10 | 1422 | 44 | 41 | 96 | Vinylester | Grey | BR-1200-1278-10/150 |
| 28 | 1200 | 16 | 1540 | 1292 | 1286 | 10 | 1422 | 44 | 41 | 114 | Vinylester | Grey | BR-1200-1278-16/150 |
| 29 | 1300 | 3 | 1660 | 1412 | 1402 | 10 | 1537 | 44 | 48 | 74 | Vinylester | Grey | BR-1300-1412-03/150 |
| 30 | 1300 | 6 | 1660 | 1412 | 1402 | 10 | 1537 | 44 | 48 | 105 | Vinylester | Grey | BR-1300-1412-06/150 |
| 31 | 1300 | 10 | 1660 | 1412 | 1402 | 10 | 1537 | 44 | 48 | 136 | Vinylester | Grey | BR-1300-1412-10/150 |
| 32 | 1300 | 16 | 1660 | 1412 | 1402 | 10 | 1537 | 44 | 48 | 165 | Vinylester | Grey | BR-1300-1412-16/150 |
| 33 | 1400 | 3 | 1780 | 1503 | 1496 | 10 | 1651 | 48 | 48 | 54 | Vinylester | Grey | BR-1400-1503-03/150 |
| 34 | 1400 | 6 | 1780 | 1503 | 1496 | 10 | 1651 | 48 | 48 | 78 | Vinylester | Grey | BR-1400-1503-06/150 |
| 35 | 1400 | 10 | 1780 | 1503 | 1496 | 10 | 1651 | 48 | 48 | 106 | Vinylester | Grey | BR-1400-1503-10/150 |
| 36 | 1400 | 16 | 1780 | 1503 | 1496 | 10 | 1651 | 48 | 48 | 124 | Vinylester | Grey | BR-1400-1503-16/150 |
| 37 | 1500 | 3 | 1890 | 1624 | 1614 | 12 | 1759 | 52 | 48 | 80 | Vinylester | Grey | BR-1500-1624-03/150 |
| 38 | 1500 | 6 | 1890 | 1624 | 1614 | 12 | 1759 | 52 | 48 | 115 | Vinylester | Grey | BR-1500-1624-06/150 |

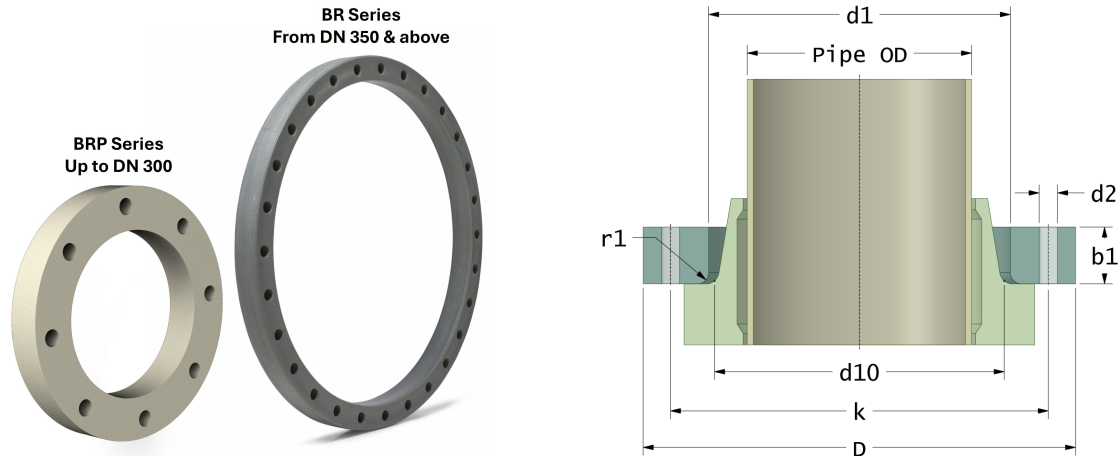
Disclaimer

Whilst every care is taken to ensure that the information on this website is complete and accurate, the Rotec Composite Group BV cannot accept responsibility for any omissions or inaccuracies or for any consequences arising therefrom. By using this website, the user accepts the terms of this disclaimer.

Backing Rings (Loose Flanges)

Type BRP and BR / suitable for GRP Stub Flange (type TSS/TSC & SF Rotec)

Drilling Standard: ANSI B16.47 Class 150



| # | DN (mm) | Pmax (bar) | D (mm) | d1 (mm) | d10 (mm) | r1 (mm) | k (mm) | Holes (no.) | d2 (mm) | b1 (mm) | Resin Type | Product Color | Article Number |
|----|------------|---------------|-----------|------------|-------------|------------|-----------|----------------|------------|------------|------------|---------------|---------------------|
| 39 | 1500 | 10 | 1890 | 1624 | 1614 | 12 | 1759 | 52 | 48 | 145 | Vinylester | Grey | BR-1500-1624-10/150 |
| 40 | 1500 | 16 | 1890 | 1624 | 1614 | 12 | 1759 | 52 | 48 | 186 | Vinylester | Grey | BR-1500-1624-16/150 |

Disclaimer

Whilst every care is taken to ensure that the information on this website is complete and accurate, the Rotec Composite Group BV cannot accept responsibility for any omissions or inaccuracies or for any consequences arising therefrom. By using this website, the user accepts the terms of this disclaimer.