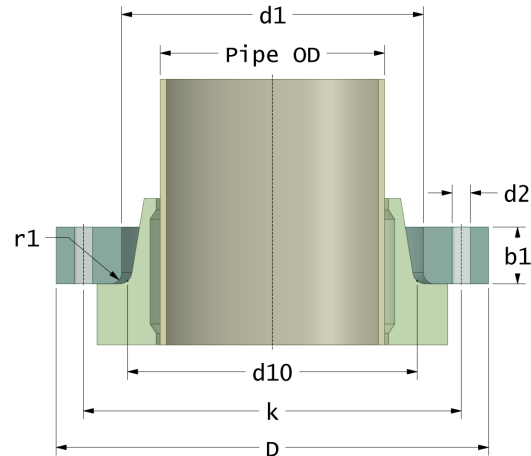


Rotec FRP Backing Rings

suitable for GRP Stub flange Rotec

Drilling Standard: AWWA C207 Class B/D/E



#	DN (mm)	Pmax (bar)	D (mm)	d1 (mm)	d10 (mm)	r1 (mm)	k (mm)	Holes (no.)	d2 (mm)	b1 (mm)	Article Number
1	150	10	285	189	186	5	241	8	22	30	BR-150-189-10/AW5
2	150	16	285	189	186	5	241	8	22	38	BR-150-189-16/AW5
3	200	10	350	238	237	5	298	8	22	32	BR-200-238-10/AW5
4	200	16	350	238	237	5	298	8	22	40	BR-200-238-16/AW5
5	250	10	410	294	293	5	362	12	25	34	BR-250-294-10/AW5
6	250	16	410	294	293	5	362	12	25	42	BR-250-294-16/AW5
7	300	10	490	359	353	6	432	12	25	37	BR-300-359-10/AW5
8	300	16	490	359	353	6	432	12	25	47	BR-300-359-16/AW5
9	350	10	540	402	400	6	476	12	28	42	BR-350-402-10/AW5
10	350	16	540	402	400	6	476	12	28	53	BR-350-402-16/AW5
11	400	10	600	455	453	6	540	16	28	47	BR-400-455-10/AW5
12	400	16	600	455	453	6	540	16	28	58	BR-400-455-16/AW5
13	450	10	644	508	506	6	578	16	32	53	BR-450-508-10/AW5
14	450	16	644	508	506	6	578	16	32	67	BR-450-508-16/AW5
15	500	3	720	565	558	8	635	20	32	35	BR-500-565-03/AW5
16	500	10	720	565	558	8	635	20	32	57	BR-500-565-10/AW5

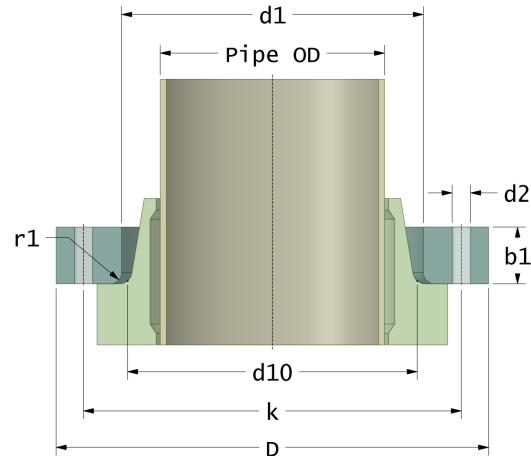
Disclaimer

Whilst every care is taken to ensure that the information on this website is complete and accurate, the Rotec Composite Group BV cannot accept responsibility for any omissions or inaccuracies or for any consequences arising therefrom. By using this website, the user accepts the terms of this disclaimer.

Rotec FRP Backing Rings

suitable for GRP Stub flange Rotec

Drilling Standard: AWWA C207 Class B/D/E



#	DN (mm)	Pmax (bar)	D (mm)	d1 (mm)	d10 (mm)	r1 (mm)	k (mm)	Holes (no.)	d2 (mm)	b1 (mm)	Article Number
17	500	16	720	565	558	8	635	20	32	72	BR-500-565-16/AW5
18	600	3	844	653	649	9	749	20	35	34	BR-600-653-03/AW5
19	600	10	844	653	649	9	749	20	35	62	BR-600-653-10/AW5
20	600	16	844	653	649	9	749	20	35	78	BR-600-653-16/AW5
21	630	3	844	668	649	8	749	20	35	34	BR-630-668-03/AW5
22	630	10	844	668	649	8	749	20	35	62	BR-630-668-10/AW5
23	630	16	844	668	649	8	749	20	35	78	BR-630-668-16/AW5
24	700	3	950	762	758	7	864	28	35	36	BR-700-762-03/AW5
25	700	10	950	762	758	7	864	28	35	64	BR-700-762-10/AW5
26	700	16	950	762	758	7	864	28	35	82	BR-700-762-16/AW5
27	800	3	1085	854	850	13	978	28	41	38	BR-800-854-03/AW5
28	800	10	1085	854	850	13	978	28	41	70	BR-800-854-10/AW5
29	800	16	1085	854	850	13	978	28	41	88	BR-800-854-16/AW5
30	900	3	1190	956	952	13	1086	32	41	40	BR-900-956-03/AW5
31	900	6	1190	956	952	13	1086	32	41	62	BR-900-956-06/AW5
32	900	10	1190	956	952	13	1086	32	41	87	BR-900-956-10/AW5
33	900	16	1190	956	952	13	1086	32	41	110	BR-900-956-16/AW5

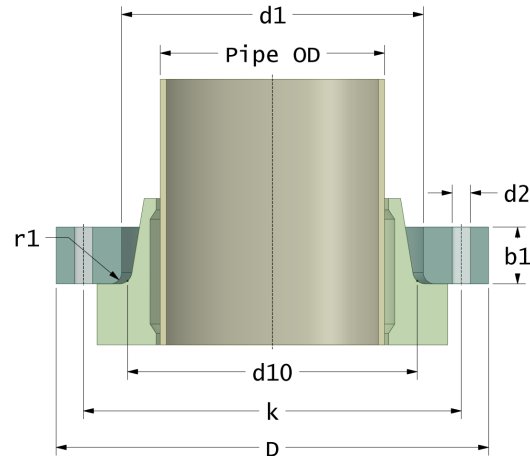
Disclaimer

Whilst every care is taken to ensure that the information on this website is complete and accurate, the Rotec Composite Group BV cannot accept responsibility for any omissions or inaccuracies or for any consequences arising therefrom. By using this website, the user accepts the terms of this disclaimer.

Rotec FRP Backing Rings

suitable for GRP Stub flange Rotec

Drilling Standard: AWWA C207 Class B/D/E



#	DN (mm)	Pmax (bar)	D (mm)	d1 (mm)	d10 (mm)	r1 (mm)	k (mm)	Holes (no.)	d2 (mm)	b1 (mm)	Article Number
34	1000	3	1320	1064	1060	13	1200	36	41	45	BR-1000-1064-03/AW5
35	1000	6	1320	1064	1060	13	1200	36	41	65	BR-1000-1064-06/AW5
36	1000	10	1320	1064	1060	13	1200	36	41	90	BR-1000-1064-10/AW5
37	1000	16	1320	1064	1060	13	1200	36	41	131	BR-1000-1064-16/AW5
38	1100	3	1430	1168	1158	9	1314	40	41	60	BR-1100-1168-03/AW5
39	1100	3	1430	1198	1188	9	1314	40	41	60	BR-1100-1198-03/AW5
40	1100	6	1430	1168	1158	9	1314	40	41	84	BR-1100-1168-06/AW5
41	1100	6	1430	1198	1188	9	1314	40	41	84	BR-1100-1198-06/AW5
42	1100	10	1430	1168	1158	9	1314	40	41	109	BR-1100-1168-10/AW5
43	1100	10	1430	1198	1188	9	1314	40	41	117	BR-1100-1198-10/AW5
44	1100	16	1430	1168	1158	9	1314	40	41	137	BR-1100-1168-16/AW5
45	1100	16	1430	1198	1188	9	1314	40	41	140	BR-1100-1198-16/AW5
46	1200	10	1540	1282	1278	11	1422	44	41	100	BR-1200-1282-10/AW5
47	1200	16	1540	1282	1278	11	1422	44	41	152	BR-1200-1282-16/AW5
48	1300	3	1660	1412	1402	10	1537	44	47	74	BR-1300-1412-03/AW5
49	1300	6	1660	1412	1402	10	1537	44	47	105	BR-1300-1412-06/AW5
50	1300	10	1660	1412	1402	10	1537	44	47	136	BR-1300-1412-10/AW5

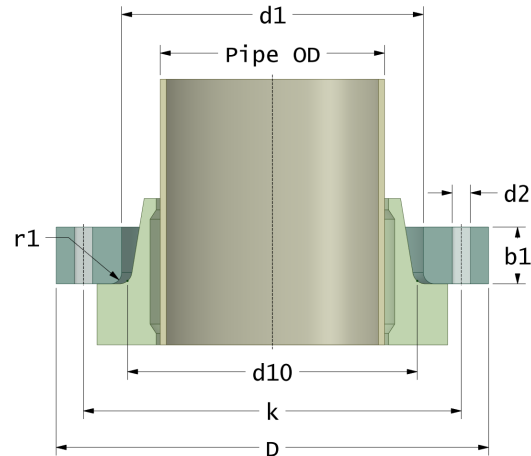
Disclaimer

Whilst every care is taken to ensure that the information on this website is complete and accurate, the Rotec Composite Group BV cannot accept responsibility for any omissions or inaccuracies or for any consequences arising therefrom. By using this website, the user accepts the terms of this disclaimer.

Rotec FRP Backing Rings

suitable for GRP Stub flange Rotec

Drilling Standard: AWWA C207 Class B/D/E



#	DN (mm)	Pmax (bar)	D (mm)	d1 (mm)	d10 (mm)	r1 (mm)	k (mm)	Holes (no.)	d2 (mm)	b1 (mm)	Article Number
51	1300	16	1660	1412	1402	10	1537	44	47	165	BR-1300-1412-16/AW5
52	1350	3	1720	1464	1454	11	1594	44	47	76	BR-1350-1464-03/AW5
53	1350	6	1720	1464	1454	11	1594	44	47	76	BR-1350-1464-06/AW5
54	1350	10	1720	1464	1454	11	1594	44	47	130	BR-1350-1464-10/AW5
55	1350	16	1720	1464	1454	11	1594	44	47	170	BR-1350-1464-16/AW5
56	1500	3	1890	1624	1614	12	1759	52	47	80	BR-1500-1624-03/AW5
57	1500	6	1890	1624	1614	12	1759	52	47	115	BR-1500-1624-06/AW5
58	1500	10	1890	1624	1614	12	1759	52	47	145	BR-1500-1624-10/AW5
59	1500	16	1890	1624	1614	12	1759	52	47	186	BR-1500-1624-16/AW5
60	1800	3	2230	1948	1938	15	2096	60	47	75	BR-1800-1948-03/AW5
61	1800	6	2230	1948	1938	15	2096	60	47	100	BR-1800-1948-06/AW5
62	1800	10	2230	1948	1938	15	2096	60	47	180	BR-1800-1948-10/AW5
63	1800	16	2230	1948	1938	15	2096	60	47	230	BR-1800-1948-16/AW5
64	2100	3	2570	2230	2220	13	2426	64	54	110	BR-2100-2230-03/AW5
65	2100	6	2570	2230	2220	13	2426	64	54	155	BR-2100-2230-06/AW5
66	2100	10	2570	2230	2220	13	2426	64	54	200	BR-2100-2230-10/AW5
67	2400	3	2910	2548	2534	14	2756	68	62	130	BR-2400-2548-03/AW5

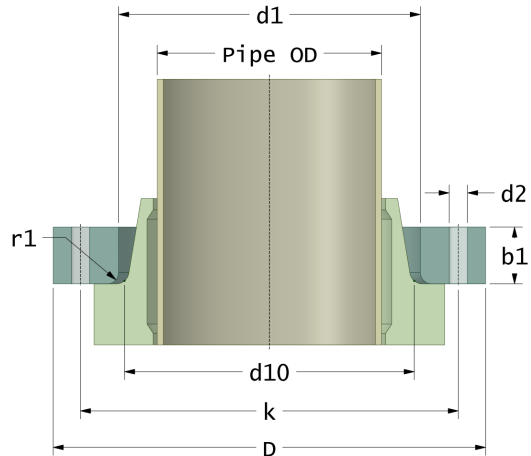
Disclaimer

Whilst every care is taken to ensure that the information on this website is complete and accurate, the Rotec Composite Group BV cannot accept responsibility for any omissions or inaccuracies or for any consequences arising therefrom. By using this website, the user accepts the terms of this disclaimer.

Rotec FRP Backing Rings

suitable for GRP Stub flange Rotec

Drilling Standard: AWWA C207 Class B/D/E



#	DN (mm)	Pmax (bar)	D (mm)	d1 (mm)	d10 (mm)	r1 (mm)	k (mm)	Holes (no.)	d2 (mm)	b1 (mm)	Article Number
68	2400	6	2910	2548	2534	14	2756	68	62	184	BR-2400-2548-06/AW5
69	2400	10	2910	2548	2534	14	2756	68	62	230	BR-2400-2548-10/AW5

Disclaimer

Whilst every care is taken to ensure that the information on this website is complete and accurate, the Rotec Composite Group BV cannot accept responsibility for any omissions or inaccuracies or for any consequences arising therefrom. By using this website, the user accepts the terms of this disclaimer.

12-04-2024