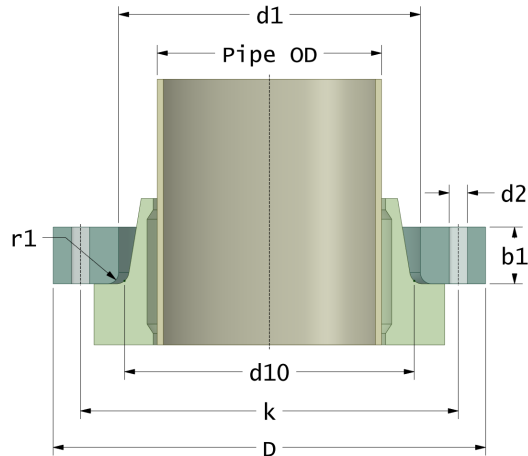


Rotec FRP Backing Rings

Backing Ring by Hot Pressing

Drilling Standard: EN1092 PN16, Pipe Type: GRP



#	DN (mm)	Pmax (bar)	Pipe OD (mm)	D (mm)	d1 (mm)	d10 (mm)	r1 (mm)	k (mm)	Holes (no.)	d2 (mm)	b1 (mm)	Article Number
1	15	16	20	98	34	33	3	65	4	14	15	BRP-15-34-16/16
2	20	16	25	116	40	39	3	75	4	14	15	BRP-20-40-16/16
3	25	16	32	116	51	50	3	85	4	14	15	BRP-25-51-16/16
4	32	16	40	140	51	50	3	100	4	18	16	BRP-32-51-16/16
5	32	16	40	140	55	54	3	100	4	18	16	BRP-32-55-16/16
6	32	16	40	140	59	58	3	100	4	18	16	BRP-32-59-16/16
7	40	16	50	154	62	61	3	110	4	18	18	BRP-40-62-16/16
8	40	16	50	154	69	68	3	110	4	18	18	BRP-40-69-16/16
9	50	16	50	164	62	61	4	125	4	18	18	BRP-50-62-16/16
10	50	16	63	164	73	72	4	125	4	18	18	BRP-50-73-16/16
11	50	16	63	164	83	82	4	125	4	18	18	BRP-50-83-16/16
12	65	16	75	184	96	95	4	145	4	18	20	BRP-65-96-16/16
13	80	16	75	200	97	94	4	160	8	18	28	BRP-80-97-16/16
14	80	10	90	200	112	111	4	160	8	18	23	BRP-80-112-10/16
15	80	16	90	200	112	111	4	160	8	18	28	BRP-80-112-16/16
16	100	10	90	228	112	111	5	180	8	18	25	BRP-100-112-10/16

Disclaimer

Whilst every care is taken to ensure that the information on this website is complete and accurate, the Rotec Composite Group BV cannot accept responsibility for any omissions or inaccuracies or for any consequences arising therefrom. By using this website, the user accepts the terms of this disclaimer.

Rotec FRP Backing Rings

Backing Ring by Hot Pressing

Drilling Standard: EN1092 PN16, Pipe Type: GRP



#	DN (mm)	Pmax (bar)	Pipe OD (mm)	D (mm)	d1 (mm)	d10 (mm)	r1 (mm)	k (mm)	Holes (no.)	d2 (mm)	b1 (mm)	Article Number
17	100	16	90	228	112	111	5	180	8	18	30	BRP-100-112-16/16
18	100	10	125	228	134	133	5	180	8	18	25	BRP-100-134-10/16
19	100	16	125	228	134	133	5	180	8	18	30	BRP-100-134-16/16
20	125	10	125	254	134	132	5	210	8	18	28	BRP-125-134-10/16
21	125	16	125	254	134	132	5	210	8	18	34	BRP-125-134-16/16
22	125	10	140	254	161	160	5	210	8	18	28	BRP-125-161-10/16
23	125	16	140	254	161	160	5	210	8	18	34	BRP-125-161-16/16
24	150	10	140	284	167	163	5	240	8	22	34	BRP-150-167-10/16
25	150	16	140	284	167	163	5	240	8	22	40	BRP-150-167-16/16
26	150	10	180	284	185	182	5	240	8	22	34	BRP-150-185-10/16
27	150	16	160	284	189	182	5	240	8	22	40	BRP-150-189-16/16
28	150	16	180	284	185	182	5	240	8	22	40	BRP-150-185-16/16
29	200	6	225	342	238	237	6	295	12	22	35	BRP-200-238-06/16
30	200	10	225	342	238	237	6	295	12	22	41	BRP-200-238-10/16
31	200	16	225	342	238	237	6	295	12	22	48	BRP-200-238-16/16
32	250	6	280	405	294	293	6	355	12	26	35	BRP-250-294-06/16
33	250	10	280	405	294	293	6	355	12	26	42	BRP-250-294-10/16

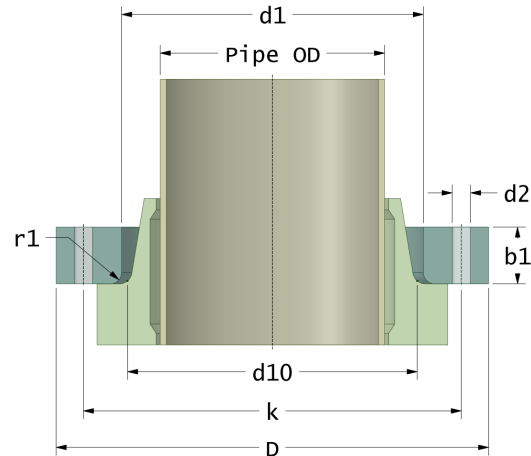
Disclaimer

Whilst every care is taken to ensure that the information on this website is complete and accurate, the Rotec Composite Group BV cannot accept responsibility for any omissions or inaccuracies or for any consequences arising therefrom. By using this website, the user accepts the terms of this disclaimer.

Rotec FRP Backing Rings

Backing Ring by Hot Pressing

Drilling Standard: EN1092 PN16, Pipe Type: GRP



#	DN (mm)	Pmax (bar)	Pipe OD (mm)	D (mm)	d1 (mm)	d10 (mm)	r1 (mm)	k (mm)	Holes (no.)	d2 (mm)	b1 (mm)	Article Number
34	300	6	315	458	344	343	6	410	12	26	42	BRP-300-344-06/16
35	300	10	315	458	344	343	6	410	12	26	50	BRP-300-344-10/16
36	300	6	315	458	348	347	6	410	12	26	42	BRP-300-348-06/16
37	300	10	315	458	348	347	6	410	12	26	50	BRP-300-348-10/16

Disclaimer

Whilst every care is taken to ensure that the information on this website is complete and accurate, the Rotec Composite Group BV cannot accept responsibility for any omissions or inaccuracies or for any consequences arising therefrom. By using this website, the user accepts the terms of this disclaimer.