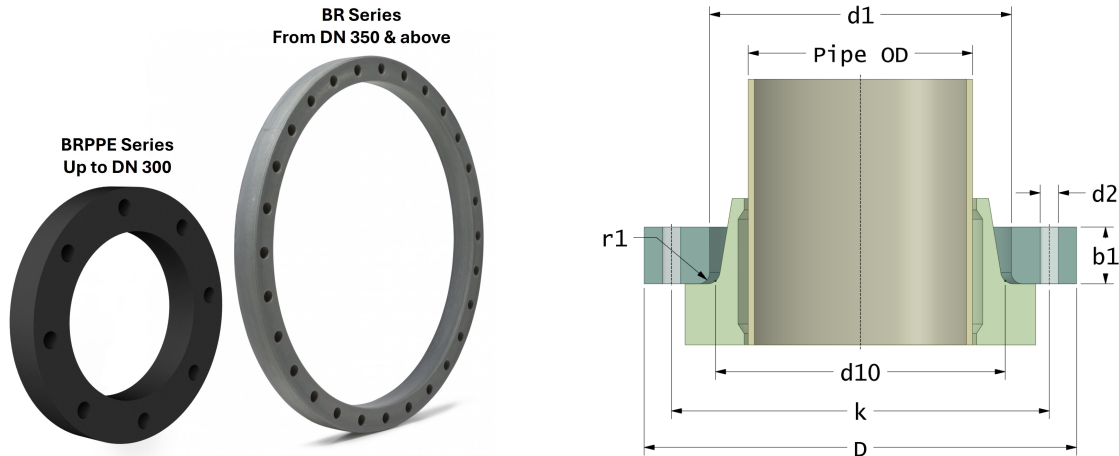


FRP Losflansche

geeignet für PE & PP Bunde

Drilling Standard: EN1092 PN6



#	DN (mm)	Pmax (bar)	Pipe OD (mm)	D (mm)	d1 (mm)	d10 (mm)	r1 (mm)	k (mm)	Holes (no.)	d2 (mm)	b1 (mm)	Article Number
1	600	3	600	760	648	600	7	705	20	26	34	BR-600-648-03/06
2	800	3	800	995	843	840	7	920	24	30	38	BR-800-843-03/06
3	1200	1	1200	1440	1250	1245	8	1340	32	33	33	BR-1200-1250-01/06
4	1200	3	1200	1440	1250	1245	8	1340	32	33	55	BR-1200-1250-03/06
5	1400	3	1400	1650	1450	1400	8	1560	36	36	60	BR-1400-1450-03/06
6	1400	6	1400	1650	1450	1400	8	1560	36	36	80	BR-1400-1450-06/06
7	1600	3	1600	1870	1650	1600	9	1760	40	36	70	BR-1600-1650-03/06
8	1600	6	1600	1870	1650	1600	9	1760	40	36	90	BR-1600-1650-06/06

Disclaimer

Whilst every care is taken to ensure that the information on this website is complete and accurate, the Rotec Composite Group BV cannot accept responsibility for any omissions or inaccuracies or for any consequences arising therefrom. By using this website, the user accepts the terms of this disclaimer.