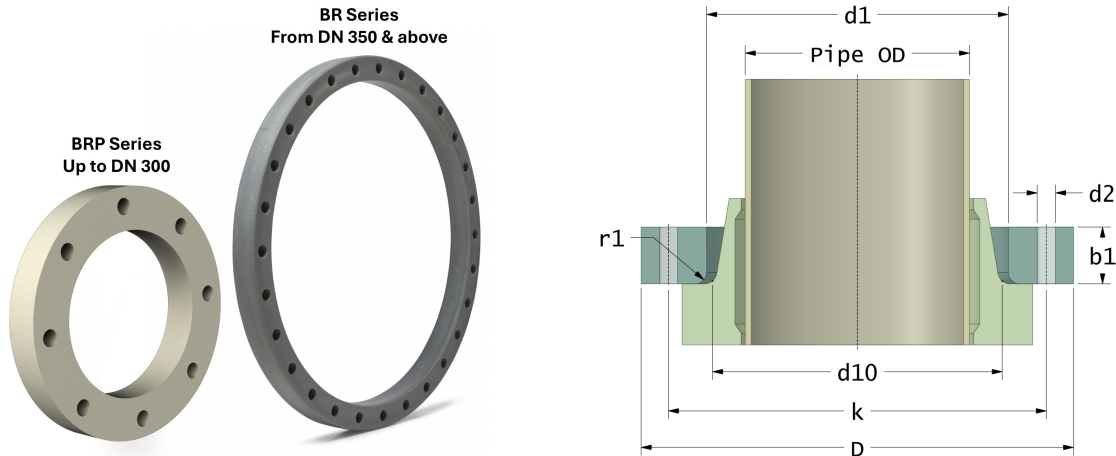


# FRP Losflansche

geeignet für GFK-Bunde Rotec

Drilling Standard: JIS B2220 30K



#	DN (mm)	Pmax (bar)	D (mm)	d1 (mm)	d10 (mm)	r1 (mm)	k (mm)	Holes (no.)	d2 (mm)	b1 (mm)	Article Number
1	350	25	585	410	406	5	495	16	33	66	BR-350-410-25/30K
2	350	32	585	410	406	5	495	16	33	75	BR-350-410-32/30K
3	400	25	640	462	458	6	560	16	39	70	BR-400-462-25/30K
4	400	32	640	462	458	6	560	16	39	80	BR-400-462-32/30K

### Disclaimer

Whilst every care is taken to ensure that the information on this website is complete and accurate, the Rotec Composite Group BV cannot accept responsibility for any omissions or inaccuracies or for any consequences arising therefrom. By using this website, the user accepts the terms of this disclaimer.