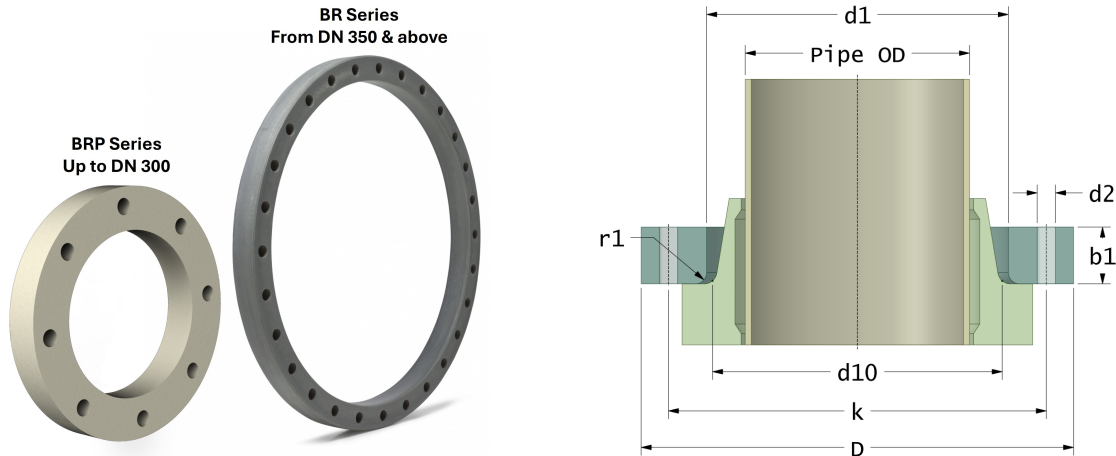


FRP Losflansche

geeignet für GFK-Bunde Rotec

Drilling Standard: JIS B2220 16K



#	DN (mm)	Pmax (bar)	D (mm)	d1 (mm)	d10 (mm)	r1 (mm)	k (mm)	Holes (no.)	d2 (mm)	b1 (mm)	Article Number
1	350	10	540	404	400	5	480	16	33	38	BR-350-404-10/16K
2	350	16	540	404	400	5	480	16	33	52	BR-350-404-16/16K
3	350	20	540	404	400	5	480	16	33	58	BR-350-404-20/16K
4	400	10	600	462	458	6	540	16	33	40	BR-400-462-10/16K
5	400	16	600	462	458	6	540	16	33	56	BR-400-462-16/16K
6	400	20	600	462	458	6	540	16	33	62	BR-400-462-20/16K
7	450	10	680	514	510	6	605	20	33	42	BR-450-506-10/16K
8	450	16	710	514	510	6	605	20	33	66	BR-450-514-16/16K
9	450	20	680	514	510	6	605	20	33	66	BR-450-514-20/16K
10	500	10	735	568	564	6	660	20	33	48	BR-500-568-10/16K
11	500	16	735	568	564	6	660	20	33	66	BR-500-568-16/16K
12	500	20	735	568	564	6	660	20	33	72	BR-500-568-20/16K
13	600	10	844	664	660	8	770	24	39	54	BR-600-664-10/10K
14	600	16	844	664	660	8	770	24	39	72	BR-600-664-16/16K
15	600	20	850	664	660	8	770	24	39	78	BR-600-664-20/16K
16	630	10	844	668	650	8	770	24	39	62	BR-630-668-10/16K

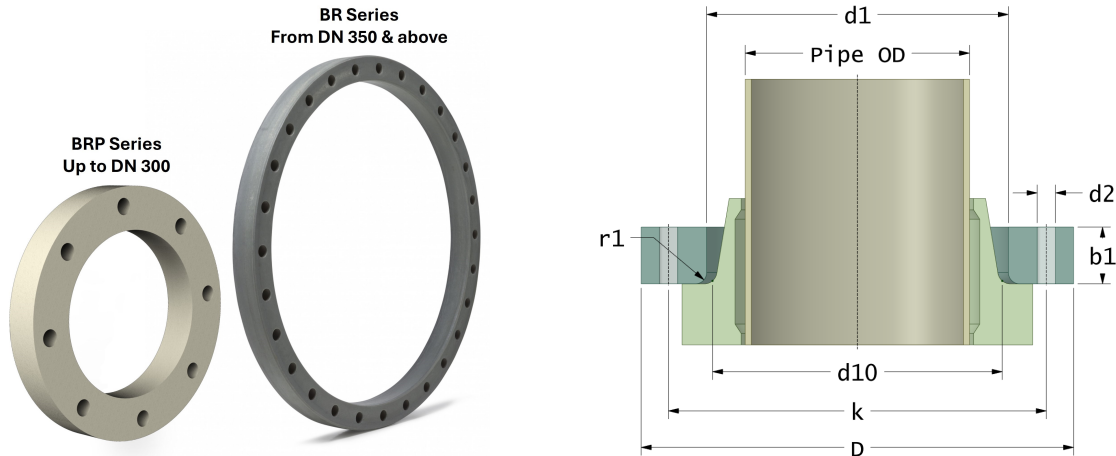
Disclaimer

Whilst every care is taken to ensure that the information on this website is complete and accurate, the Rotec Composite Group BV cannot accept responsibility for any omissions or inaccuracies or for any consequences arising therefrom. By using this website, the user accepts the terms of this disclaimer.

FRP Losflansche

geeignet für GFK-Bunde Rotec

Drilling Standard: JIS B2220 16K



#	DN (mm)	Pmax (bar)	D (mm)	d1 (mm)	d10 (mm)	r1 (mm)	k (mm)	Holes (no.)	d2 (mm)	b1 (mm)	Article Number
17	630	16	844	668	650	8	770	24	39	78	BR-630-668-16/16K
18	630	20	850	687	681	8	770	24	39	89	BR-630-687-20/16K
19	700	10	960	758	754	8	875	24	42	60	BR-700-758-10/16K
20	700	16	960	758	754	8	875	24	42	78	BR-700-758-16/16K
21	700	20	960	764	760	8	875	24	42	84	BR-700-764-20/16K
22	800	10	1085	864	860	9	990	24	48	66	BR-800-864-10/16K
23	800	16	1085	864	860	9	990	24	48	84	BR-800-864-16/16K
24	800	20	1085	878	874	9	990	24	48	90	BR-800-878-20/16K
25	900	10	1190	974	970	9	1090	28	48	76	BR-900-974-10/16K
26	900	16	1190	974	970	9	1090	28	48	94	BR-900-974-16/16K
27	1000	10	1320	1069	1065	11	1210	28	56	86	BR-1000-1064-10/16K
28	1000	16	1320	1069	1065	11	1210	28	56	104	BR-1000-1064-16/16K
29	1100	10	1430	1168	1158	9	1310	32	56	109	BR-1100-1168-10/16K
30	1100	10	1430	1198	1188	9	1310	32	56	117	BR-1100-1198-10/16K
31	1100	16	1430	1168	1158	9	1310	32	56	137	BR-1100-1168-16/16K
32	1100	16	1430	1198	1188	9	1310	32	56	140	BR-1100-1198-16/16K
33	1200	10	1540	1278	1272	10	1420	32	56	96	BR-1200-1278-10/16K

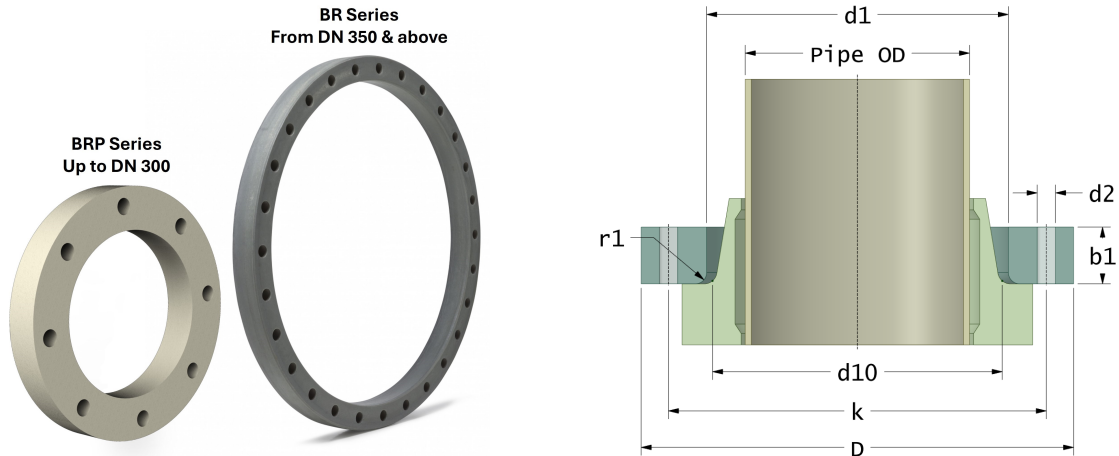
Disclaimer

Whilst every care is taken to ensure that the information on this website is complete and accurate, the Rotec Composite Group BV cannot accept responsibility for any omissions or inaccuracies or for any consequences arising therefrom. By using this website, the user accepts the terms of this disclaimer.

FRP Losflansche

geeignet für GFK-Bunde Rotec

Drilling Standard: JIS B2220 16K



#	DN (mm)	Pmax (bar)	D (mm)	d1 (mm)	d10 (mm)	r1 (mm)	k (mm)	Holes (no.)	d2 (mm)	b1 (mm)	Article Number
34	1200	16	1540	1278	1272	10	1420	32	56	114	BR-1200-1278-16/16K

Disclaimer

Whilst every care is taken to ensure that the information on this website is complete and accurate, the Rotec Composite Group BV cannot accept responsibility for any omissions or inaccuracies or for any consequences arising therefrom. By using this website, the user accepts the terms of this disclaimer.