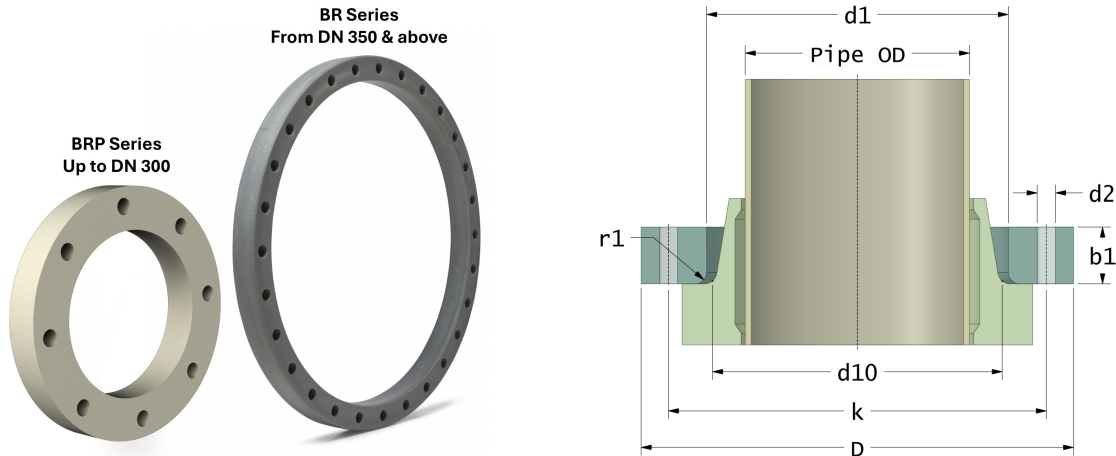


# FRP Losflansche

geeignet für GFK-Bunde Rotec

Drilling Standard: JIS B2220 10K



#	DN (mm)	Pmax (bar)	D (mm)	d1 (mm)	d10 (mm)	r1 (mm)	k (mm)	Holes (no.)	d2 (mm)	b1 (mm)	Article Number
1	400	10	570	454	450	6	510	16	27	40	BR-400-454-10/10K
2	450	10	644	506	502	6	565	20	27	42	BR-450-506-10/10K
3	500	3	674	558	554	6	620	20	27	32	BR-500-558-03/10K
4	500	10	674	558	554	6	620	20	27	48	BR-500-558-10/10K
5	600	3	800	654	650	8	730	24	33	34	BR-600-654-03/10K
6	600	10	800	654	650	8	730	24	33	54	BR-600-654-10/10K
7	700	3	910	758	754	8	840	24	33	36	BR-700-758-03/10K
8	700	10	910	758	754	8	840	24	33	60	BR-700-758-10/10K
9	800	3	1025	864	860	9	950	28	33	38	BR-800-864-03/10K
10	800	10	1025	864	860	9	950	28	33	66	BR-800-864-10/10K
11	900	3	1125	962	958	9	1050	28	33	42	BR-900-962-03/10K
12	900	6	1125	962	958	9	1050	28	33	54	BR-900-962-06/10K
13	900	10	1125	962	958	9	1050	28	33	76	BR-900-962-10/10K
14	1000	3	1244	1069	1065	10	1160	28	39	46	BR-1000-1069-03/10K
15	1000	6	1244	1069	1065	10	1160	28	39	62	BR-1000-1069-06/10K
16	1000	10	1244	1069	1065	10	1160	28	39	86	BR-1000-1069-10/10K

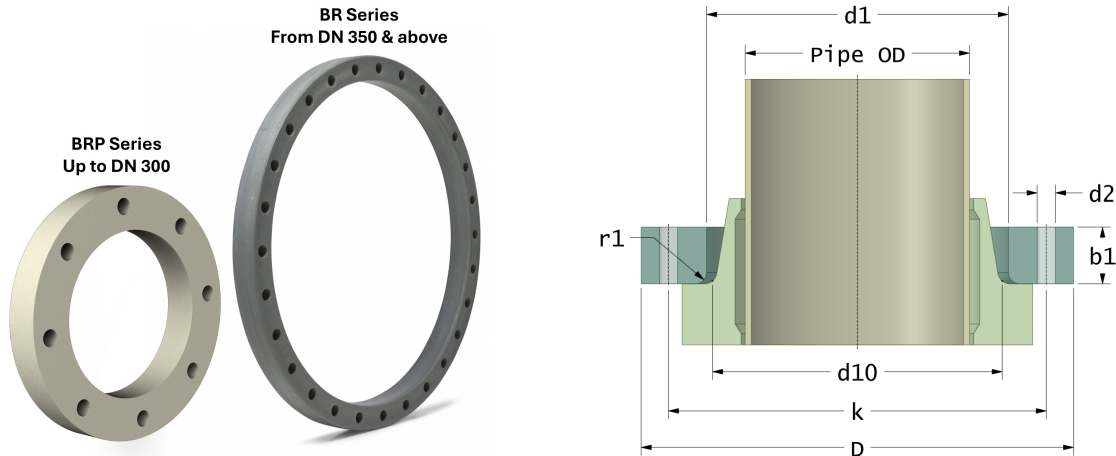
#### Disclaimer

Whilst every care is taken to ensure that the information on this website is complete and accurate, the Rotec Composite Group BV cannot accept responsibility for any omissions or inaccuracies or for any consequences arising therefrom. By using this website, the user accepts the terms of this disclaimer.

# FRP Losflansche

geeignet für GFK-Bunde Rotec

Drilling Standard: JIS B2220 10K



#	DN (mm)	Pmax (bar)	D (mm)	d1 (mm)	d10 (mm)	r1 (mm)	k (mm)	Holes (no.)	d2 (mm)	b1 (mm)	Article Number
17	1100	3	1355	1152	1142	8	1270	28	39	62	BR-1100-1152-03/10K
18	1100	3	1355	1184	1174	8	1270	28	39	62	BR-1100-1184-03/10K
19	1100	6	1355	1152	1142	8	1270	28	39	88	BR-1100-1152-06/10K
20	1100	6	1355	1184	1174	8	1270	28	39	88	BR-1100-1184-06/10K
21	1100	10	1355	1152	1142	8	1270	28	39	114	BR-1100-1152-10/10K
22	1100	10	1355	1184	1174	8	1270	28	39	114	BR-1100-1184-10/10K
23	1200	3	1470	1278	1272	10	1380	32	39	50	BR-1200-1278-03/10K
24	1200	6	1470	1278	1272	10	1380	32	39	70	BR-1200-1278-6/10K
25	1200	10	1470	1278	1272	10	1380	32	39	96	BR-1200-1278-10/10K
26	1350	3	1640	1440	1430	10	1540	36	45	76	BR-1350-1440-03/10K
27	1350	6	1640	1440	1430	10	1540	36	45	107	BR-1350-1440-06/10K
28	1350	10	1640	1440	1430	10	1540	36	45	130	BR-1350-1440-10/10K
29	1500	3	1810	1596	1586	12	1700	40	45	80	BR-1500-1596-03/10K
30	1500	6	1810	1596	1586	12	1700	40	45	115	BR-1500-1596-06/10K
31	1500	10	1810	1596	1586	12	1700	40	45	145	BR-1500-1596-10/10K

### Disclaimer

Whilst every care is taken to ensure that the information on this website is complete and accurate, the Rotec Composite Group BV cannot accept responsibility for any omissions or inaccuracies or for any consequences arising therefrom. By using this website, the user accepts the terms of this disclaimer.