

FRP Losflansche

geeignet für GFK-Bunde Rotec

Drilling Standard: AWWA C207 Class B/D/E



#	DN (mm)	Pmax (bar)	D (mm)	d1 (mm)	d10 (mm)	r1 (mm)	k (mm)	Holes (no.)	d2 (mm)	b1 (mm)	Article Number
1	350	10	540	404	400	5	476	12	28	38	BR-350-404-10/AW5
2	350	16	540	404	400	5	476	12	28	52	BR-350-404-16/AW5
3	400	10	600	462	458	6	540	16	28	40	BR-400-462-10/AW5
4	400	16	600	462	458	6	540	16	28	56	BR-400-462-16/AW5
5	450	10	644	506	502	6	578	16	32	42	BR-450-506-10/AW5
6	450	16	644	506	502	6	578	16	32	60	BR-450-506-16/AW5
7	500	3	720	558	554	6	635	20	32	32	BR-500-558-03/AW5
8	500	6	720	558	554	6	635	20	32	34	BR-500-558-06/AW5
9	500	10	720	558	554	6	635	20	32	48	BR-500-558-10/AW5
10	500	16	720	558	554	6	635	20	32	66	BR-500-558-16/AW5
11	600	3	844	654	650	8	749	20	35	34	BR-600-654-03/AW5
12	600	6	844	654	650	8	749	20	35	38	BR-600-654-06/AW5
13	600	10	844	654	650	8	749	20	35	54	BR-600-654-10/AW5
14	600	16	844	654	650	8	749	20	35	72	BR-600-654-16/AW5
15	630	3	844	668	650	8	749	20	35	34	BR-630-668-03/AW5
16	630	10	844	668	650	8	749	20	35	62	BR-630-668-10/AW5

Disclaimer

Whilst every care is taken to ensure that the information on this website is complete and accurate, the Rotec Composite Group BV cannot accept responsibility for any omissions or inaccuracies or for any consequences arising therefrom. By using this website, the user accepts the terms of this disclaimer.

FRP Losflansche

geeignet für GFK-Bunde Rotec

Drilling Standard: AWWA C207 Class B/D/E



#	DN (mm)	Pmax (bar)	D (mm)	d1 (mm)	d10 (mm)	r1 (mm)	k (mm)	Holes (no.)	d2 (mm)	b1 (mm)	Article Number
17	630	16	844	668	650	8	749	20	35	78	BR-630-668-16/AW5
18	700	3	950	758	754	8	864	28	35	36	BR-700-758-03/AW5
19	700	6	950	758	754	8	864	28	35	42	BR-700-758-06/AW5
20	700	10	950	758	754	8	864	28	35	60	BR-700-758-10/AW5
21	700	16	950	758	754	8	864	28	35	78	BR-700-758-16/AW5
22	800	3	1085	864	860	9	978	28	41	38	BR-800-864-03/AW5
23	800	6	1085	864	860	9	978	28	41	46	BR-800-864-06/AW5
24	800	10	1085	864	860	9	978	28	41	66	BR-800-864-10/AW5
25	800	16	1085	864	860	9	978	28	41	84	BR-800-864-16/AW5
26	900	3	1190	974	970	9	1086	32	41	42	BR-900-974-03/AW5
27	900	6	1190	974	970	9	1086	32	41	54	BR-900-974-06/AW5
28	900	10	1190	974	970	9	1086	32	41	76	BR-900-974-10/AW5
29	900	16	1190	974	970	9	1086	32	41	94	BR-900-974-16/AW5
30	1000	3	1320	1069	1065	11	1200	36	41	46	BR-1000-1064-03/AW5
31	1000	6	1320	1069	1065	11	1200	36	41	62	BR-1000-1064-06/AW5
32	1000	10	1320	1069	1065	11	1200	36	41	86	BR-1000-1064-10/AW5
33	1000	16	1320	1069	1065	11	1200	36	41	104	BR-1000-1064-16/AW5

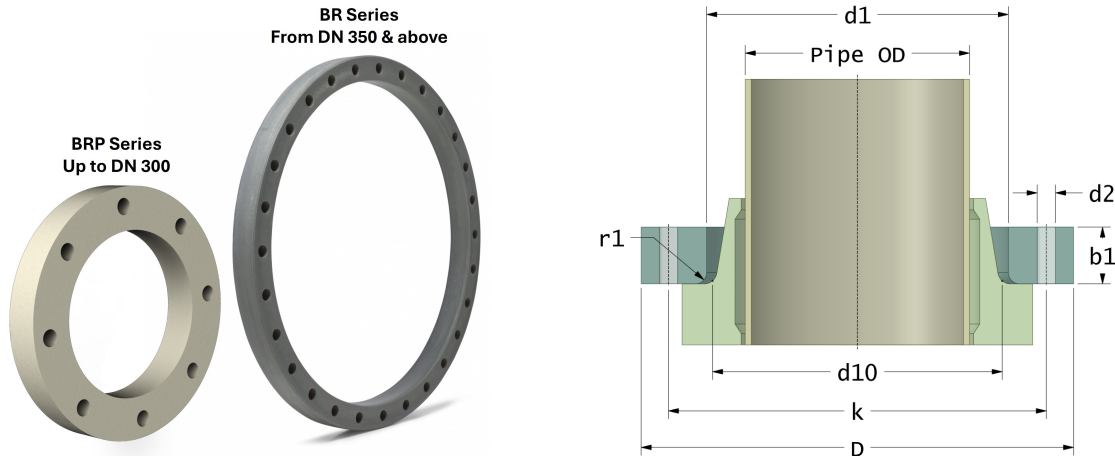
Disclaimer

Whilst every care is taken to ensure that the information on this website is complete and accurate, the Rotec Composite Group BV cannot accept responsibility for any omissions or inaccuracies or for any consequences arising therefrom. By using this website, the user accepts the terms of this disclaimer.

FRP Losflansche

geeignet für GFK-Bunde Rotec

Drilling Standard: AWWA C207 Class B/D/E



#	DN (mm)	Pmax (bar)	D (mm)	d1 (mm)	d10 (mm)	r1 (mm)	k (mm)	Holes (no.)	d2 (mm)	b1 (mm)	Article Number
34	1100	3	1430	1168	1158	9	1314	40	41	60	BR-1100-1168-03/AW5
35	1100	3	1430	1198	1188	9	1314	40	41	60	BR-1100-1198-03/AW5
36	1100	6	1430	1168	1158	9	1314	40	41	84	BR-1100-1168-06/AW5
37	1100	6	1430	1198	1188	9	1314	40	41	84	BR-1100-1198-06/AW5
38	1100	10	1430	1168	1158	9	1314	40	41	109	BR-1100-1168-10/AW5
39	1100	10	1430	1198	1188	9	1314	40	41	117	BR-1100-1198-10/AW5
40	1100	16	1430	1168	1158	9	1314	40	41	137	BR-1100-1168-16/AW5
41	1100	16	1430	1198	1188	9	1314	40	41	140	BR-1100-1198-16/AW5
42	1200	3	1540	1292	1286	10	1422	44	41	50	BR-1200-1292-03/AW5
43	1200	6	1540	1292	1286	10	1422	44	41	70	BR-1200-1292-06/AW5
44	1200	10	1540	1292	1286	10	1422	44	41	96	BR-1200-1278-10/AW5
45	1200	16	1540	1292	1286	10	1422	44	41	114	BR-1200-1278-16/AW5
46	1300	3	1660	1412	1402	10	1537	44	47	74	BR-1300-1412-03/AW5
47	1300	6	1660	1412	1402	10	1537	44	47	105	BR-1300-1412-06/AW5
48	1300	10	1660	1412	1402	10	1537	44	47	136	BR-1300-1412-10/AW5
49	1300	16	1660	1412	1402	10	1537	44	47	165	BR-1300-1412-16/AW5
50	1350	3	1720	1464	1454	11	1594	44	47	76	BR-1350-1464-03/AW5

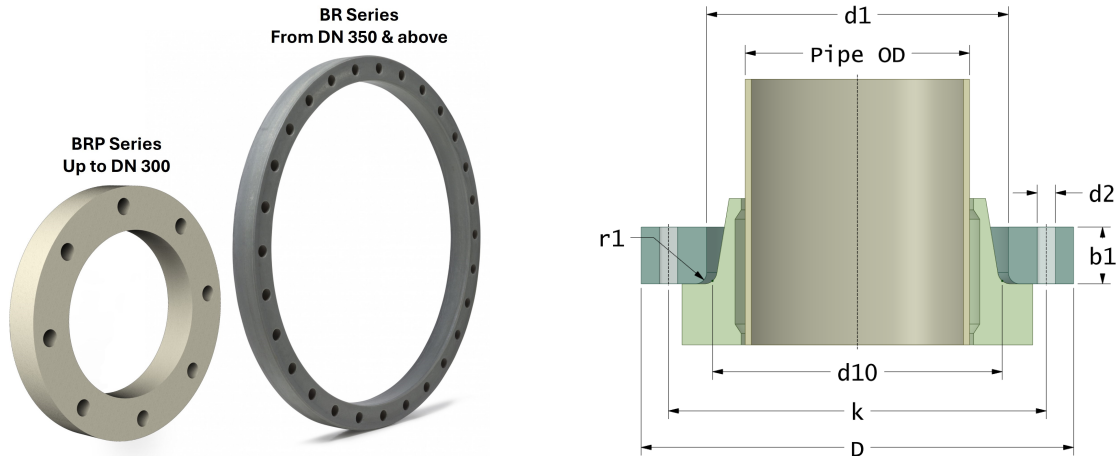
Disclaimer

Whilst every care is taken to ensure that the information on this website is complete and accurate, the Rotec Composite Group BV cannot accept responsibility for any omissions or inaccuracies or for any consequences arising therefrom. By using this website, the user accepts the terms of this disclaimer.

FRP Losflansche

geeignet für GFK-Bunde Rotec

Drilling Standard: AWWA C207 Class B/D/E



#	DN (mm)	Pmax (bar)	D (mm)	d1 (mm)	d10 (mm)	r1 (mm)	k (mm)	Holes (no.)	d2 (mm)	b1 (mm)	Article Number
51	1350	6	1720	1464	1454	11	1594	44	47	76	BR-1350-1464-06/AW5
52	1350	10	1720	1464	1454	11	1594	44	47	130	BR-1350-1464-10/AW5
53	1350	16	1720	1464	1454	11	1594	44	47	170	BR-1350-1464-16/AW5
54	1500	3	1890	1624	1614	12	1759	52	47	80	BR-1500-1624-03/AW5
55	1500	6	1890	1624	1614	12	1759	52	47	115	BR-1500-1624-06/AW5
56	1500	10	1890	1624	1614	12	1759	52	47	145	BR-1500-1624-10/AW5
57	1500	16	1890	1624	1614	12	1759	52	47	186	BR-1500-1624-16/AW5
58	1800	3	2230	1927	1918	12	2096	60	47	62	BR-1800-1927-03/AW5
59	1800	6	2230	1927	1918	12	2096	60	47	94	BR-1800-1927-06/AW5
60	1800	10	2230	1927	1918	12	2096	60	47	126	BR-1800-1927-10/AW5
61	1800	16	2230	1927	1918	12	2096	60	47	144	BR-1800-1927-16/AW5
62	2100	3	2570	2230	2220	13	2426	64	54	110	BR-2100-2230-03/AW5
63	2100	6	2570	2230	2220	13	2426	64	54	155	BR-2100-2230-06/AW5
64	2100	10	2570	2230	2220	13	2426	64	54	200	BR-2100-2230-10/AW5
65	2400	3	2910	2555	2543	13	2756	68	62	68	BR-2400-2548-03/AW5
66	2400	6	2910	2555	2543	13	2756	68	62	103	BR-2400-2548-06/AW5
67	2400	10	2910	2555	2543	13	2756	68	62	138	BR-2400-2548-10/AW5

Disclaimer

Whilst every care is taken to ensure that the information on this website is complete and accurate, the Rotec Composite Group BV cannot accept responsibility for any omissions or inaccuracies or for any consequences arising therefrom. By using this website, the user accepts the terms of this disclaimer.