

# Rotec FRP Losflansche

## Stützring durch Heißpressen

Drilling Standard: ANSI B16.5 Class 150, Pipe Type: PE/PP



#	DN (mm)	Pmax (bar)	Pipe OD (mm)	D (mm)	d1 (mm)	d10 (mm)	r1 (mm)	k (mm)	Holes (no.)	d2 (mm)	b1 (mm)	Article Number
1	15	16	20	98	28	27	3	60	4	16	15	BRPPE-15-28-16/150
2	20	16	25	98	34	33	3	70	4	16	15	BRPPE-20-34-16/150
3	25	16	32	116	42	40	3	79	4	16	15	BRPPE-25-42-16/150
4	32	16	40	116	51	50	3	89	4	16	16	BRPPE-32-51-16/150
5	40	16	50	140	62	61	3	98	4	16	18	BRPPE-40-62-16/150
6	50	16	63	154	78	75	4	121	4	19	18	BRPPE-50-78-16/150
7	65	10	75	184	92	89	4	140	4	19	16	BRPPE-65-92-10/150
8	65	16	75	184	92	89	4	140	4	19	20	BRPPE-65-92-16/150
9	80	6	90	200	108	107	4	152	4	19	18	BRPPE-80-108-06/150
10	80	10	90	200	108	107	4	152	4	19	23	BRPPE-80-108-10/150
11	80	16	90	200	108	107	4	152	4	19	28	BRPPE-80-108-16/150
12	100	6	110	228	128	125	5	190	8	19	20	BRPPE-100-128-06/150
13	100	6	125	228	134	133	5	190	8	19	20	BRPPE-100-134-06/150
14	100	10	110	228	128	125	5	190	8	19	25	BRPPE-100-128-10/150
15	100	10	125	228	134	133	5	190	8	19	25	BRPPE-100-134-10/150
16	100	16	110	228	128	125	5	190	8	19	30	BRPPE-100-128-16/150

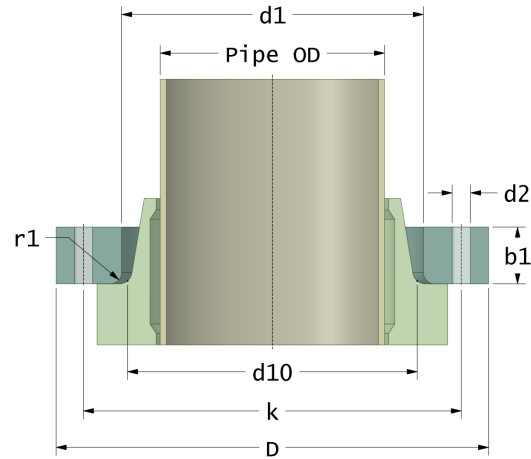
### Disclaimer

Whilst every care is taken to ensure that the information on this website is complete and accurate, the Rotec Composite Group BV cannot accept responsibility for any omissions or inaccuracies or for any consequences arising therefrom. By using this website, the user accepts the terms of this disclaimer.

# Rotec FRP Losflansche

## Stützring durch Heißpressen

Drilling Standard: ANSI B16.5 Class 150, Pipe Type: PE/PP



#	DN (mm)	Pmax (bar)	Pipe OD (mm)	D (mm)	d1 (mm)	d10 (mm)	r1 (mm)	k (mm)	Holes (no.)	d2 (mm)	b1 (mm)	Article Number
17	100	16	125	228	134	133	5	190	8	19	30	BRPPE-100-134-16/150
18	125	6	140	254	158	155	5	216	8	22	22	BRPPE-125-158-06/150
19	125	10	140	254	158	155	5	216	8	22	28	BRPPE-125-158-10/150
20	125	16	140	254	158	155	5	216	8	22	34	BRPPE-125-158-16/150
21	150	6	160	284	178	175	5	241	8	22	25	BRPPE-150-178-06/150
22	150	6	180	284	185	182	5	241	8	22	25	BRPPE-150-185-06/150
23	150	10	160	284	178	175	5	241	8	22	34	BRPPE-150-178-10/150
24	150	10	180	284	185	182	5	241	8	22	34	BRPPE-150-185-10/150
25	150	16	160	284	178	175	5	241	8	22	40	BRPPE-150-178-16/150
26	150	16	180	284	185	182	5	241	8	22	40	BRPPE-150-185-16/150
27	200	6	200	342	235	232	6	298	8	22	30	BRPPE-200-235-06/150
28	200	6	225	342	238	237	6	298	8	22	30	BRPPE-200-238-06/150
29	200	10	200	342	235	232	6	298	8	22	38	BRPPE-200-235-10/150
30	200	10	225	342	238	237	6	298	8	22	38	BRPPE-200-238-10/150
31	200	16	200	342	235	232	6	298	8	22	48	BRPPE-200-235-16/150
32	200	16	225	342	238	237	6	298	8	22	48	BRPPE-200-238-16/150
33	250	6	250	405	288	285	6	362	12	26	32	BRPPE-250-288-06/150

### Disclaimer

Whilst every care is taken to ensure that the information on this website is complete and accurate, the Rotec Composite Group BV cannot accept responsibility for any omissions or inaccuracies or for any consequences arising therefrom. By using this website, the user accepts the terms of this disclaimer.

# Rotec FRP Losflansche

## Stützring durch Heißpressen

Drilling Standard: ANSI B16.5 Class 150, Pipe Type: PE/PP



#	DN (mm)	Pmax (bar)	Pipe OD (mm)	D (mm)	d1 (mm)	d10 (mm)	r1 (mm)	k (mm)	Holes (no.)	d2 (mm)	b1 (mm)	Article Number
34	250	6	280	405	294	293	6	362	12	26	32	BRPPE-250-294-06/150
35	250	10	250	405	288	285	6	362	12	26	42	BRPPE-250-288-10/150
36	250	10	280	405	294	293	6	362	12	26	42	BRPPE-250-294-10/150
37	250	16	250	405	288	285	6	362	12	26	54	BRPPE-250-288-16/150
38	250	16	280	405	294	293	6	362	12	26	54	BRPPE-250-294-16/150
39	300	6	315	485	338	335	6	432	12	26	38	BRPPE-300-338-06/150
40	300	10	315	485	338	335	6	432	12	26	52	BRPPE-300-338-10/150

### Disclaimer

Whilst every care is taken to ensure that the information on this website is complete and accurate, the Rotec Composite Group BV cannot accept responsibility for any omissions or inaccuracies or for any consequences arising therefrom. By using this website, the user accepts the terms of this disclaimer.

18-12-2024