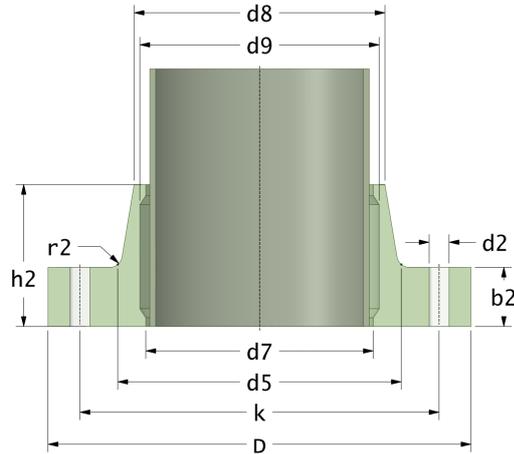


Rotec Fest Flansche

Flat Face RTM für GFK-Rohr

Drilling Standard: EN1092 PN10



#	DN (mm)	Pmax (bar)	D (mm)	d7 (mm)	d9 (mm)	d8 (mm)	d5 (mm)	r2 (mm)	k (mm)	Holes (no.)	d2 (mm)	h2 (mm)	b2 (mm)	Article Number
1	150	10	285	170	174	178	184	5	240	8	22	70	23	FF-150-10/16
2	200	10	340	222	226	230	237	5	295	8	22	80	25	FF-200-10/10
3	250	6	395	274	278	284	293	5	350	12	22	89	29	FF-250-06/10
4	250	10	395	274	278	284	293	5	350	12	22	89	29	FF-250-10/10
5	300	6	445	326	330	336	342	5	400	12	22	97	32	FF-300-06/10
6	300	10	445	326	330	336	342	5	400	12	22	97	32	FF-300-10/10
7	350	6	505	378	382	388	398	6	460	16	22	105	35	FF-350-06/10
8	350	10	505	378	382	388	398	6	460	16	22	105	35	FF-350-10/10
9	400	6	565	429	433	439	451	6	515	16	26	113	38	FF-400-06/10
10	400	10	565	429	433	439	451	6	515	16	26	113	38	FF-400-10/10
11	450	6	640	480	484	491	503	6	565	20	26	121	41	FF-450-06/10
12	450	10	640	480	484	491	503	6	565	20	26	121	41	FF-450-10/10
13	500	3	670	532	536	543	556	6	620	20	26	113	28	FF-500-03/10
14	500	6	670	532	536	543	556	6	620	20	26	129	44	FF-500-06/10
15	500	10	670	532	536	543	556	6	620	20	26	129	44	FF-500-10/10
16	600	3	780	618	622	629	646	7	725	20	30	129	34	FF-600-03/10

Disclaimer

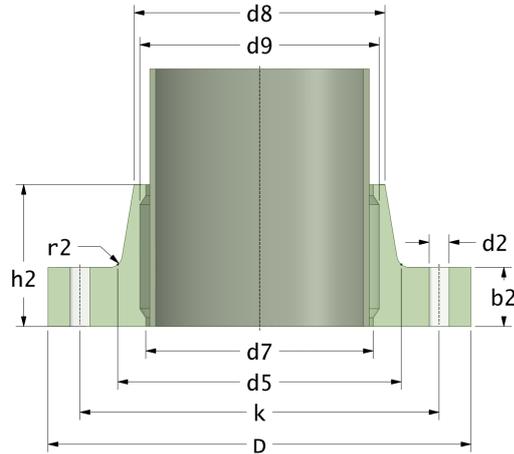
Whilst every care is taken to ensure that the information on this website is complete and accurate, the Rotec Composite Group BV cannot accept responsibility for any omissions or inaccuracies or for any consequences arising therefrom. By using this website, the user accepts the terms of this disclaimer.

17-11-2022

Rotec Fest Flansche

Flat Face RTM für GFK-Rohr

Drilling Standard: EN1092 PN10



#	DN (mm)	Pmax (bar)	D (mm)	d7 (mm)	d9 (mm)	d8 (mm)	d5 (mm)	r2 (mm)	k (mm)	Holes (no.)	d2 (mm)	h2 (mm)	b2 (mm)	Article Number
17	600	6	780	618	622	629	646	7	725	20	30	145	50	FF-600-06/10
18	600	10	780	618	622	629	646	7	725	20	30	145	50	FF-600-10/10
19	700	3	910	721	725	733	756	7	840	24	30	135	36	FF-700-03/10
20	700	6	910	721	725	733	756	7	840	24	30	149	50	FF-700-06/10
21	700	10	910	721	725	733	756	7	840	24	30	155	56	FF-700-10/10
22	800	3	1015	823	827	835	861	7	950	24	33	151	38	FF-800-03/10
23	800	6	1015	823	827	835	861	7	950	24	33	165	52	FF-800-06/10
24	800	10	1015	823	827	835	861	7	950	24	33	175	62	FF-800-10/10
25	900	3	1115	926	930	939	967	7	1050	28	33	166	40	FF-900-03/10
26	900	6	1115	926	930	939	967	7	1050	28	33	182	56	FF-900-06/10
27	900	10	1115	926	930	939	967	7	1050	28	33	193	67	FF-900-10/10
28	1000	3	1230	1028	1032	1044	1070	7	1160	28	36	178	45	FF-1000-03/10
29	1000	6	1230	1028	1032	1044	1070	7	1160	28	36	193	60	FF-1000-06/10
30	1000	10	1230	1028	1032	1044	1070	7	1160	28	36	205	72	FF-1000-10/10
31	1200	3	1484	1232	1236	1250	1278	8	1380	32	39	190	55	FF-1200-03/10
32	1200	6	1484	1232	1236	1250	1278	8	1380	32	39	204	69	FF-1200-06/10
33	1200	10	1484	1232	1236	1250	1278	8	1380	32	39	215	80	FF-1200-10/10

Disclaimer

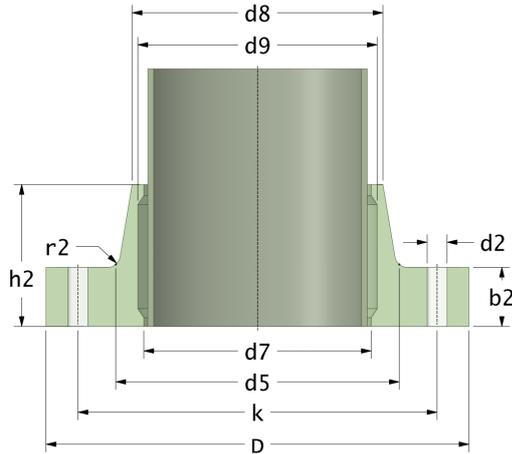
Whilst every care is taken to ensure that the information on this website is complete and accurate, the Rotec Composite Group BV cannot accept responsibility for any omissions or inaccuracies or for any consequences arising therefrom. By using this website, the user accepts the terms of this disclaimer.

17-11-2022

Rotec Fest Flansche

Flat Face RTM für GFK-Rohr

Drilling Standard: EN1092 PN10



#	DN (mm)	Pmax (bar)	D (mm)	d7 (mm)	d9 (mm)	d8 (mm)	d5 (mm)	r2 (mm)	k (mm)	Holes (no.)	d2 (mm)	h2 (mm)	b2 (mm)	Article Number
34	1400	3	1685	1436	1440	1455	1486	8	1590	36	42	205	60	FF-1400-03/10
35	1400	6	1685	1436	1440	1455	1486	8	1590	36	42	223	78	FF-1400-06/10
36	1400	10	1685	1436	1440	1455	1486	8	1590	36	42	240	95	FF-1400-10/10
37	1600	3	1930	1642	1646	1662	1696	8	1820	40	48	215	70	FF-1600-03/10
38	1600	6	1930	1642	1646	1662	1696	8	1820	40	48	232	87	FF-1600-06/10
39	1600	10	1930	1642	1646	1662	1696	8	1820	40	48	255	110	FF-1600-10/10
40	1800	3	2130	1846	1850	1866	1916	10	2020	44	48	235	75	FF-1800-03/10
41	1800	6	2130	1846	1850	1866	1916	10	2020	44	48	253	93	FF-1800-06/10
42	1800	10	2130	1846	1850	1866	1916	10	2020	44	48	282	122	FF-1800-10/10
43	2000	3	2360	2049	2053	2072	2114	10	2230	48	48	306	76	FF-2000-03/10
44	2000	6	2360	2049	2053	2072	2114	10	2230	48	48	335	105	FF-2000-06/10
45	2000	10	2360	2049	2053	2072	2114	10	2230	48	48	364	134	FF-2000-10/10
46	2200	3	2580	2253	2257	2276	2300	18	2440	52	56	312	82	FF-2200-03/10
47	2200	6	2580	2253	2257	2276	2300	18	2440	52	56	344	114	FF-2200-06/10
48	2200	10	2580	2253	2257	2276	2300	18	2440	52	56	376	146	FF-2200-10/10
49	2400	3	2780	2457	2461	2480	2510	18	2650	56	56	338	88	FF-2400-03/10
50	2400	6	2780	2457	2461	2480	2510	18	2650	56	56	373	123	FF-2400-06/10

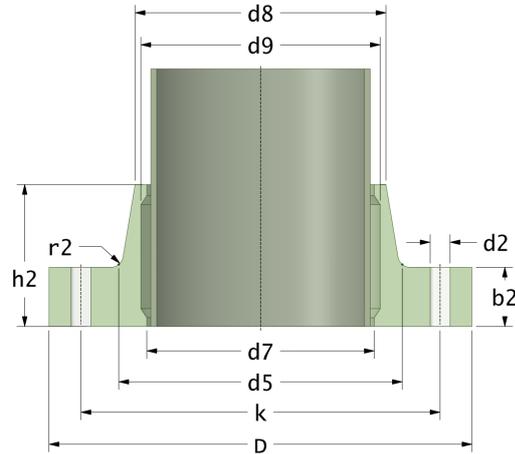
Disclaimer

Whilst every care is taken to ensure that the information on this website is complete and accurate, the Rotec Composite Group BV cannot accept responsibility for any omissions or inaccuracies or for any consequences arising therefrom. By using this website, the user accepts the terms of this disclaimer.

Rotec Fest Flansche

Flat Face RTM für GFK-Rohr

Drilling Standard: EN1092 PN10



#	DN (mm)	Pmax (bar)	D (mm)	d7 (mm)	d9 (mm)	d8 (mm)	d5 (mm)	r2 (mm)	k (mm)	Holes (no.)	d2 (mm)	h2 (mm)	b2 (mm)	Article Number
51	2400	10	2780	2457	2461	2480	2510	18	2650	56	56	408	158	FF-2400-10/10

Disclaimer

Whilst every care is taken to ensure that the information on this website is complete and accurate, the Rotec Composite Group BV cannot accept responsibility for any omissions or inaccuracies or for any consequences arising therefrom. By using this website, the user accepts the terms of this disclaimer.

17-11-2022